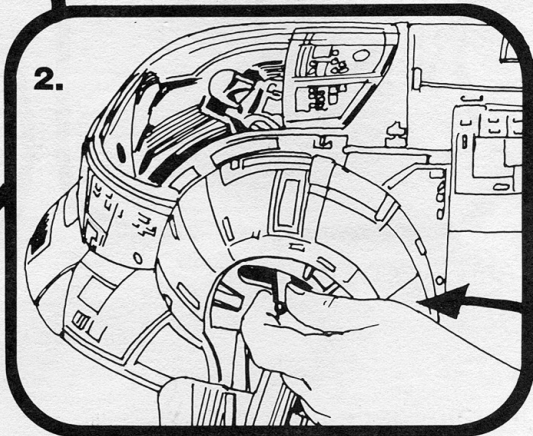


1.

## COCKPIT

1. For take-off place Action Figure in flight seat as shown. This is also the position for landing.
2. For flight move remote lever forward so Action Figure is visible through canopy.



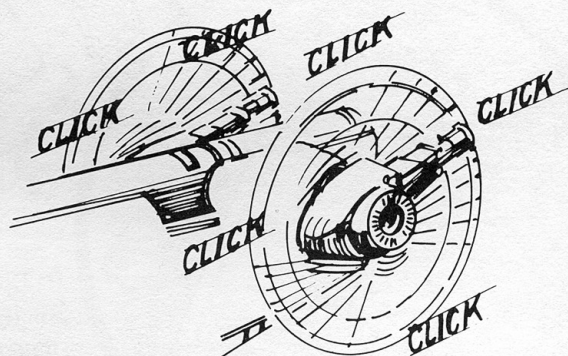
2.



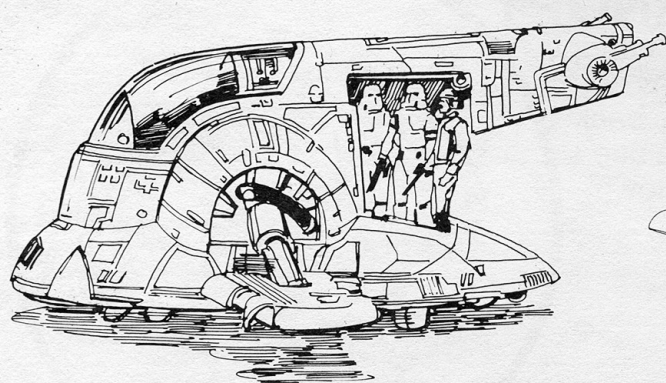
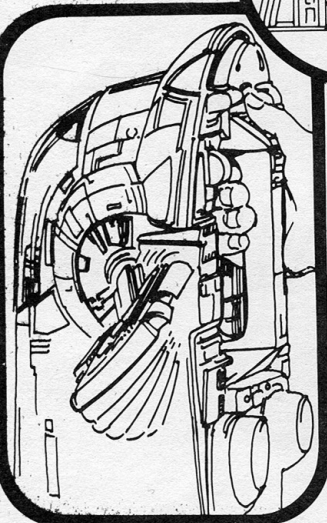
TRIGGER

## WING CONTROL

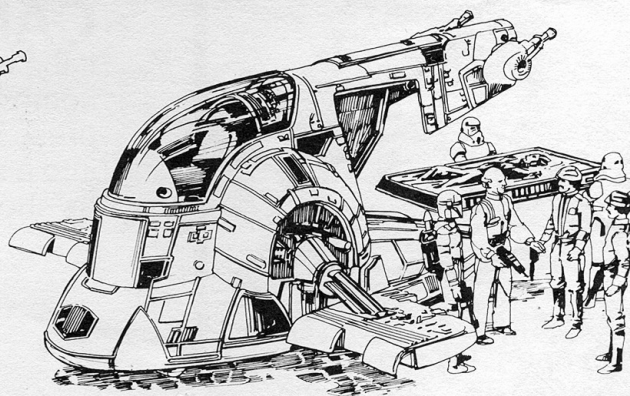
Wing angle is controlled by gravity and the trigger on the flight control handle. Press trigger to hold the wings at the angle you want.



Laser cannons rotate with clicking sound.



Cargo compartments hold additional Action Figures.

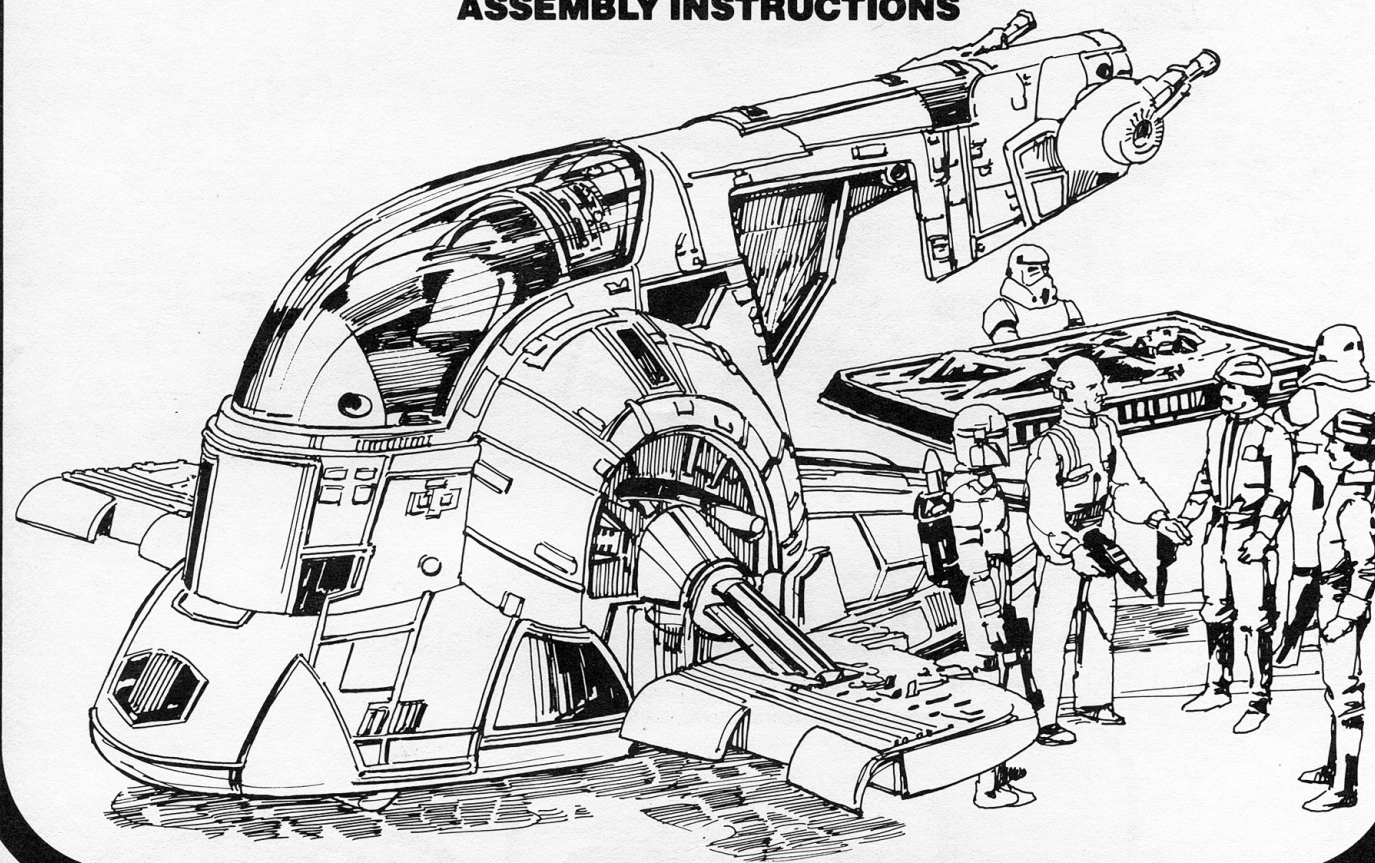


Recreate the mysterious disappearance of frozen Han Solo™ from Cloud City.

STAR  
THE  
**EMPIRE  
STRIKES BACK**  
WARS™

# SLAVE I™

## ASSEMBLY INSTRUCTIONS



### WE REALLY DO CARE

We make each toy with lots of tender loving care ... so, if something seems to be wrong, please read the instructions again carefully. If any part is missing or broken when you receive your toy, we will, as a service to you, replace it free of charge.

Please identify the name of any missing part (or parts) by using the instruction sheet description. Simply fill out the form provided and send it along with the broken part to:

KENNER PRODUCTS  
1014 VINE STREET  
CINCINNATI, OHIO 45202  
Attn: Consumer Relations

**Kenner**  
Meets or exceeds all safety requirements of Product Standard 72-76

KENNER PRODUCTS  
1014 VINE STREET  
CINCINNATI, OHIO 45202

3rd CLASS MAIL

NAME \_\_\_\_\_

ADDRESS \_\_\_\_\_

CITY \_\_\_\_\_

STATE \_\_\_\_\_

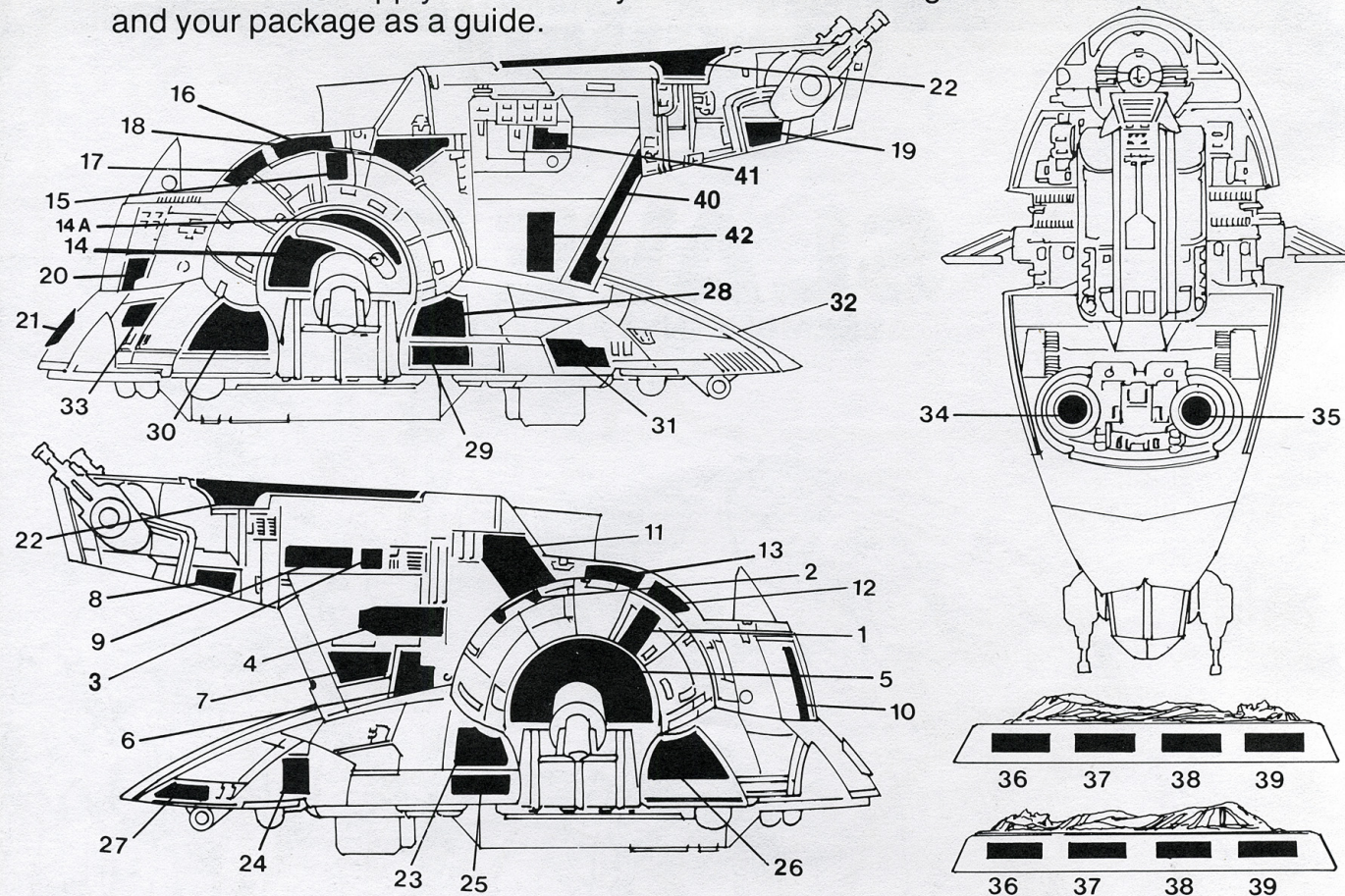
ZIP \_\_\_\_\_

NAME OF MISSING PART(S) \_\_\_\_\_

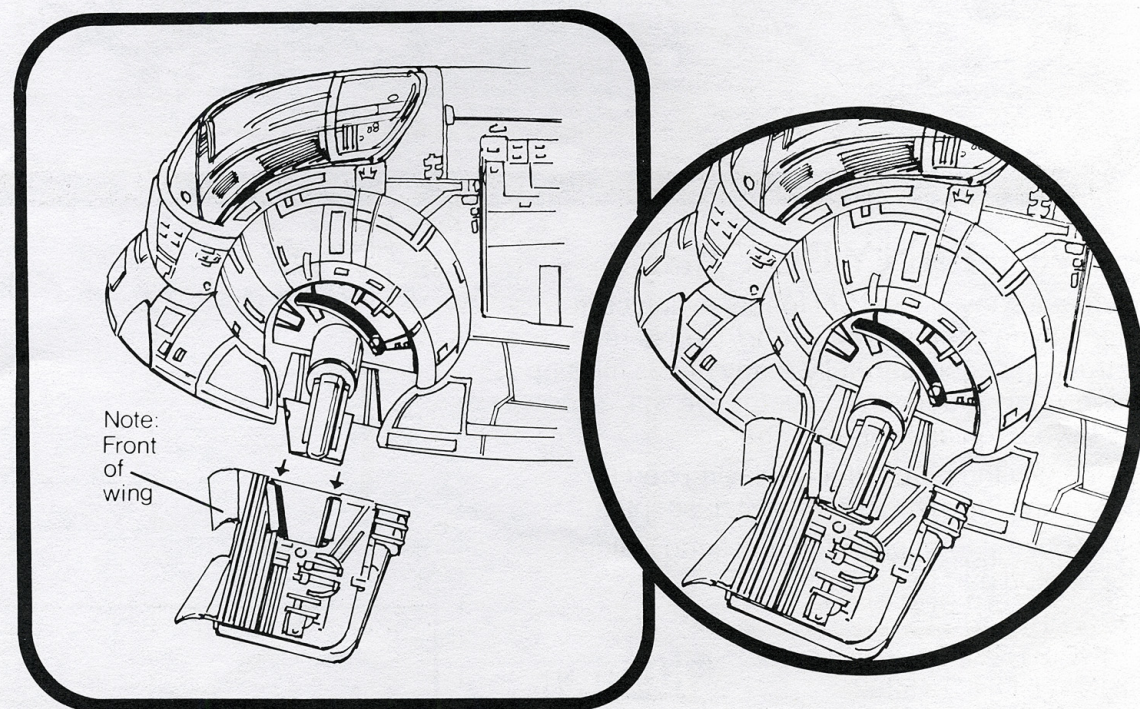
SLAVE I

PLEASE RETURN BROKEN PART(S)

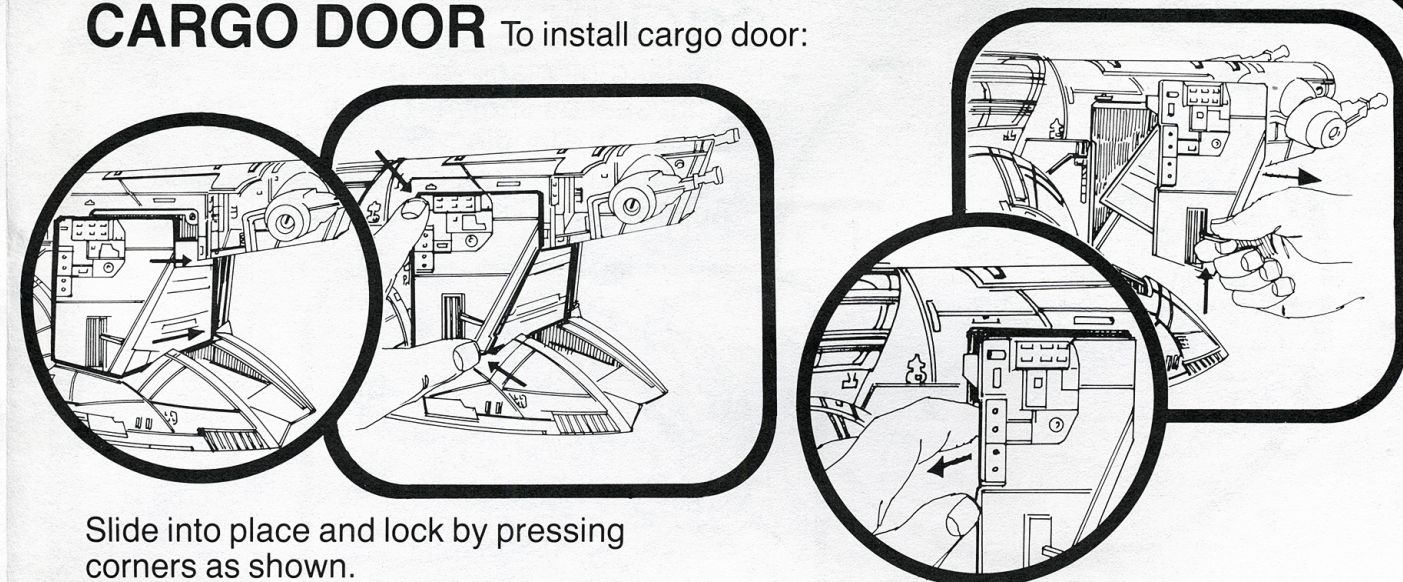
**LABELS** Apply authentically detailed labels using this sheet and your package as a guide.



**WING ASSEMBLY** Attach wings to control struts by inserting tabs into slot and pressing together.



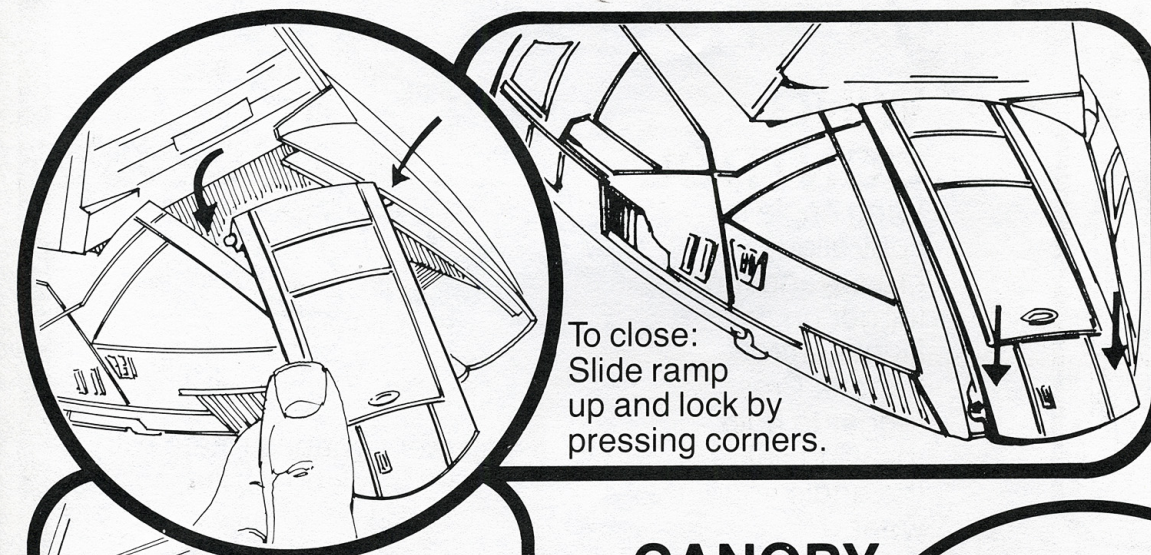
**CARGO DOOR** To install cargo door:



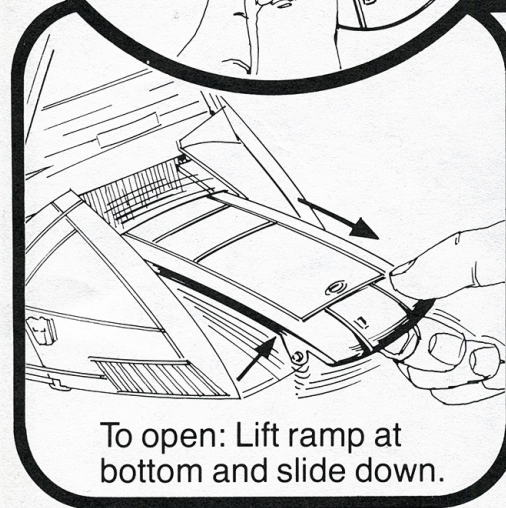
Slide into place and lock by pressing corners as shown.

To remove, pull corner as shown, lift tab and pull straight out.

**RAMP** To install: Place tabs into track and rotate ramp into position.



To close: Slide ramp up and lock by pressing corners.



To open: Lift ramp at bottom and slide down.

**CANOPY**

If the canopy comes off press back into place as shown.

