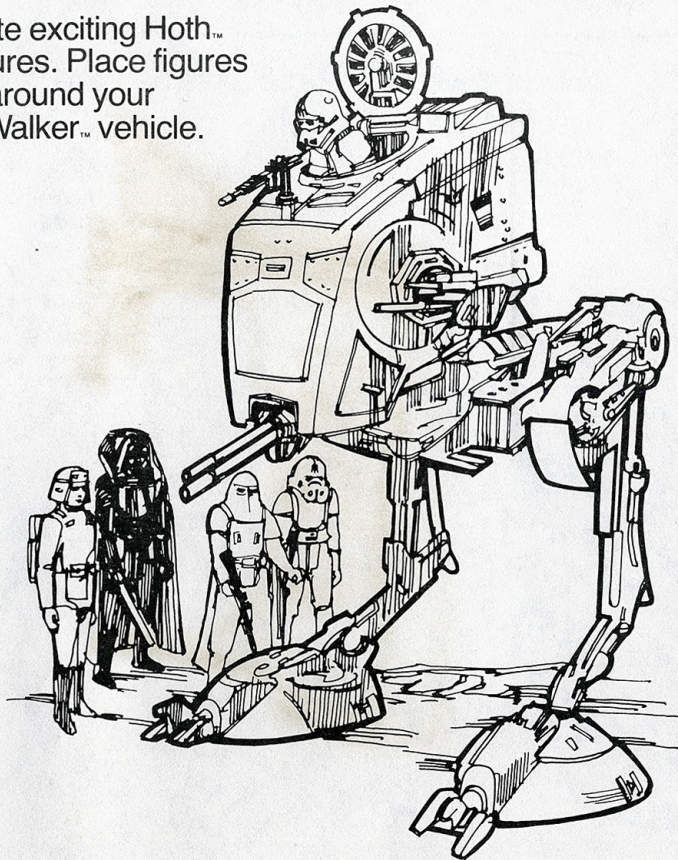


Recreate exciting Hoth... adventures. Place figures in and around your Scout Walker... vehicle.



WE REALLY DO CARE

We make each toy with lots of tender loving care... so, if something seems to be wrong, please read the instructions again carefully. If any part is missing or broken when you receive your toy, we will, as a service to you, replace it free of charge.

Please identify the name of any missing part (or parts) by using the instruction sheet description.

Simply fill out the form provided and send it along with the broken part to:

KENNER PRODUCTS
1014 VINE STREET
CINCINNATI, OHIO 45202
Attn: Consumer Relations

NAME _____

ADDRESS _____

CITY _____

STATE _____ ZIP _____

NAME OF MISSING PART(S) _____

SCOUT WALKER™

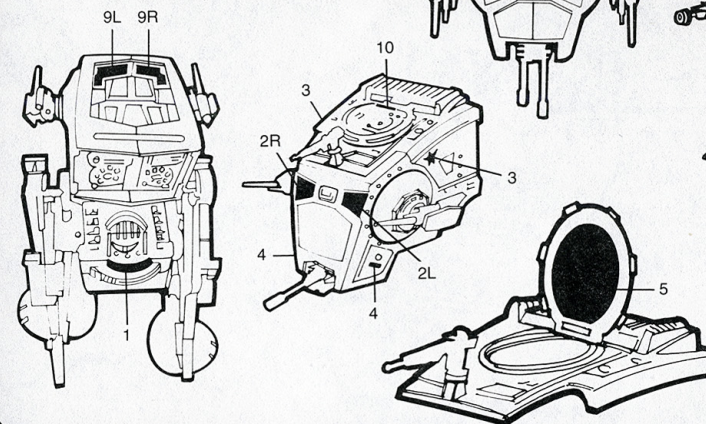
PLEASE RETURN BROKEN PARTS

© LUCASFILM LTD. (LFL) 1982. TM. © TRADEMARKS OWNED BY LFL AND USED BY KENNER UNDER AUTHORIZATION; STAR WARS AND DESIGN IS A TRADEMARK OF LFL. CPG Products Corp., a subsidiary of General Mills, Inc. by its Division Kenner Products, Cincinnati, Ohio 45202.

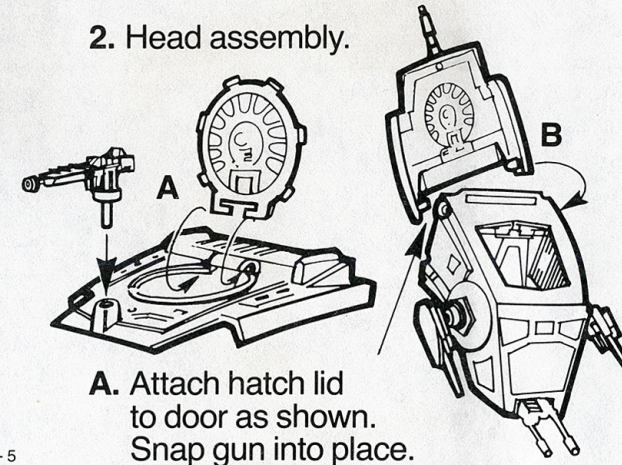


SCOUT WALKER™ VEHICLE ASSEMBLY INSTRUCTIONS

1. Apply labels following label sheet and numbers as shown.



2. Head assembly.



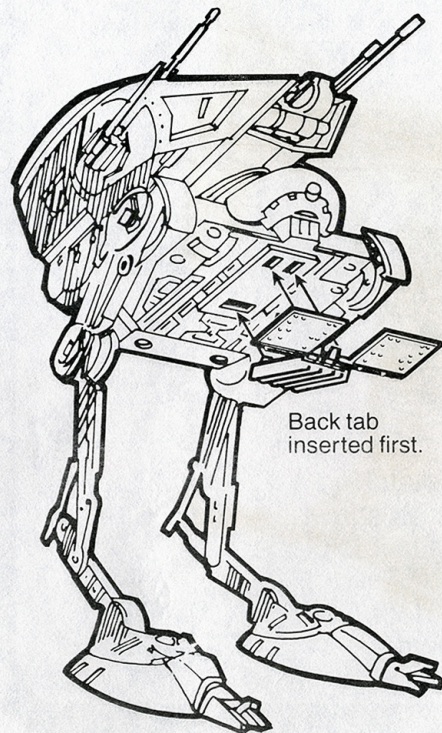
A. Attach hatch lid to door as shown. Snap gun into place.

B. Attach door as shown.

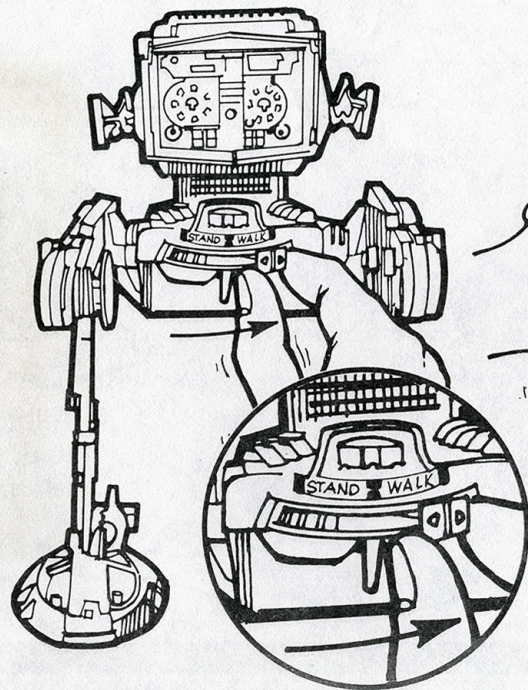
Kenner
Meets or exceeds all safety requirements of Product Standard 72-76



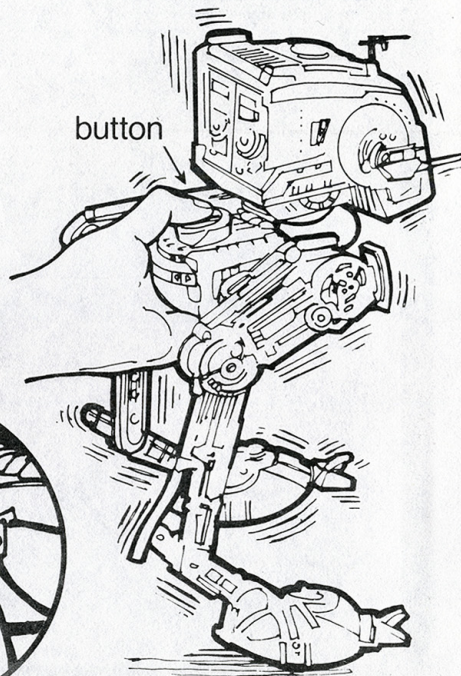
3. Breast plate simply snaps into place.



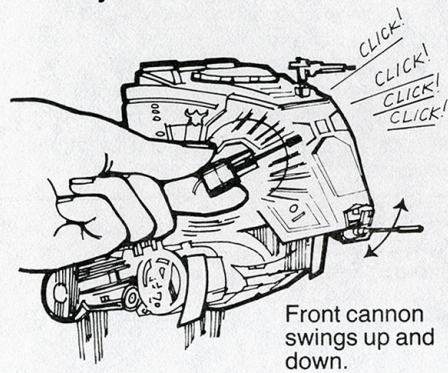
4. Your Scout Walker™ vehicle comes in the standing position. Before operating in the walk mode, move switch to walk as indicated.



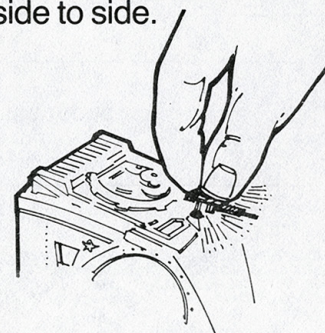
5. Press button up and down to make the legs move up and down.



6. Side cannons click as they move.

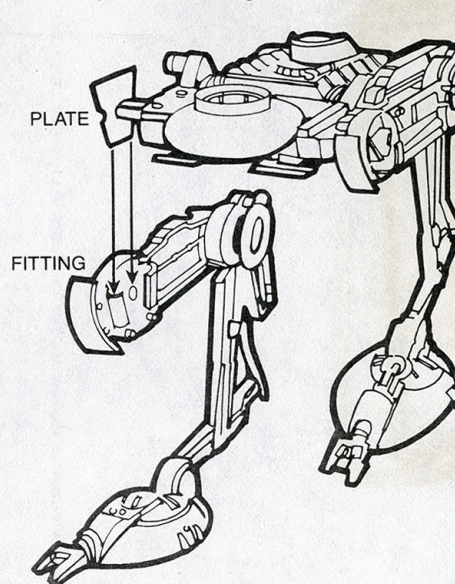


Top gun rotates from side to side.



7. If your Scout Walker's™ legs become detached: Legs assemble following these easy steps.

STEP 1: Slide plate into fitting.



STEP 2: Make sure round hole in the link is placed over post.

