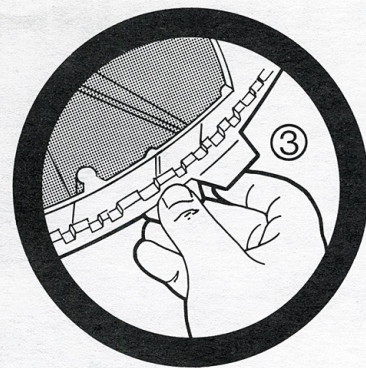
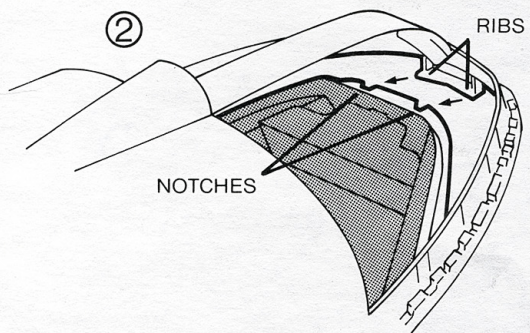


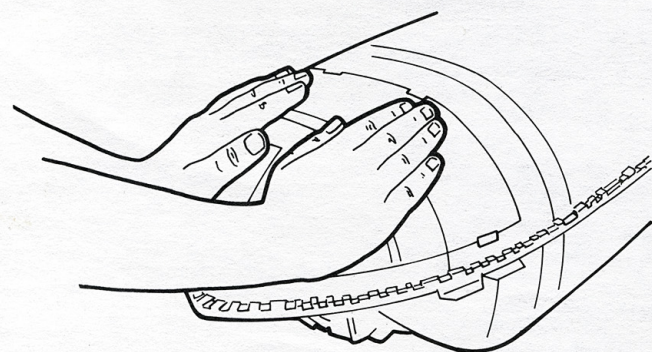
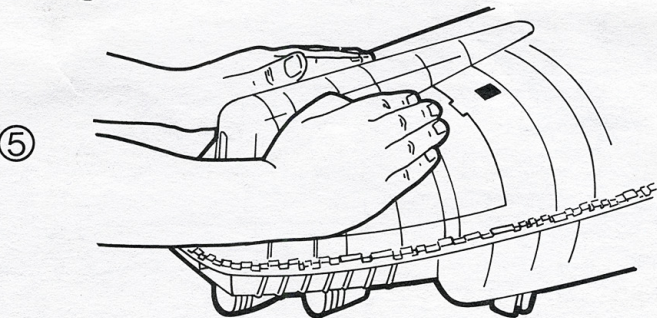
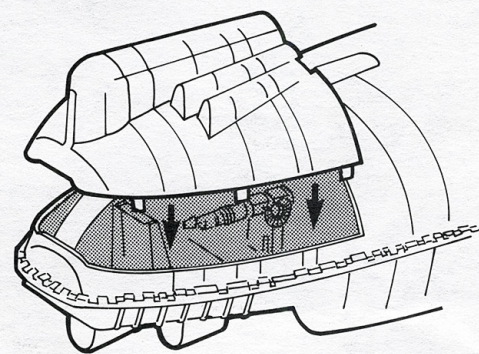
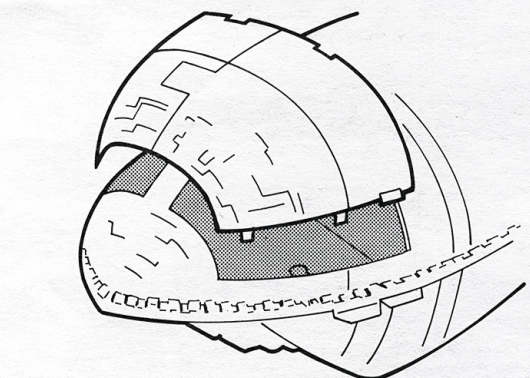
REASSEMBLY

1. Replace Crew Chamber.
2. Fit top of Rebel Transport to base by aligning ribs and notches at the rear of vehicle.

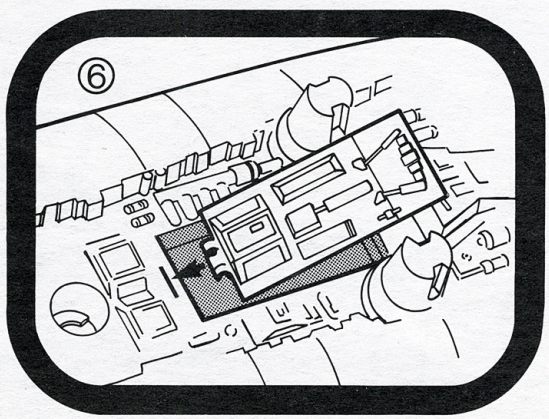


3. Snap tabs at front over ribs.
4. Lock parts together by inserting handle through tray and base. Push down slightly, turning handle 1/4 turn.

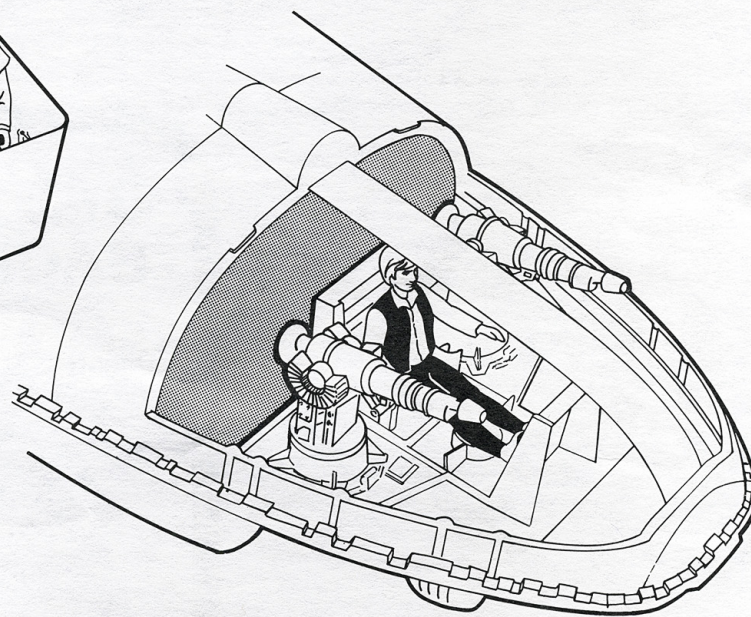
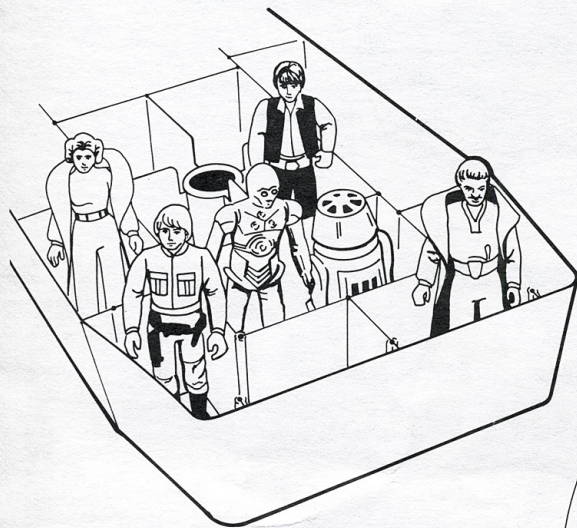
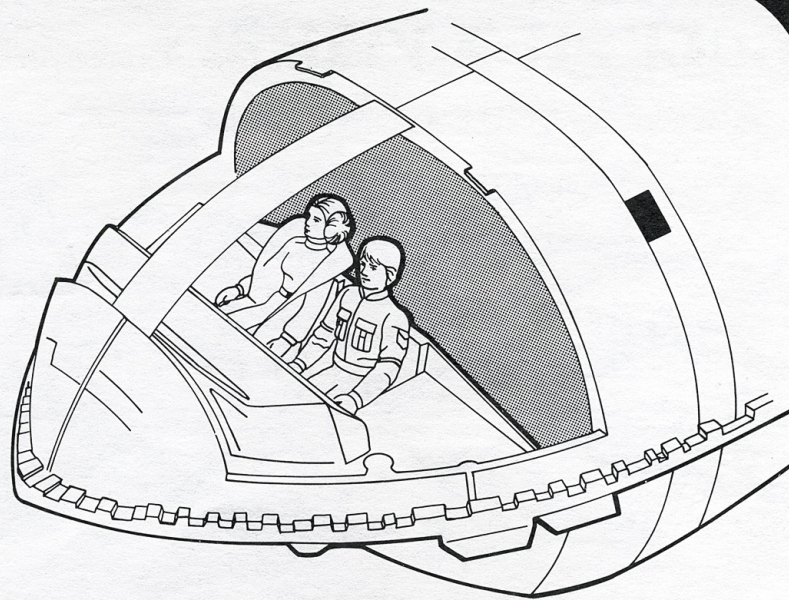
5. Install Cockpit Canopy and Gun Turret Covers by placing over openings and pressing under tabs as shown.



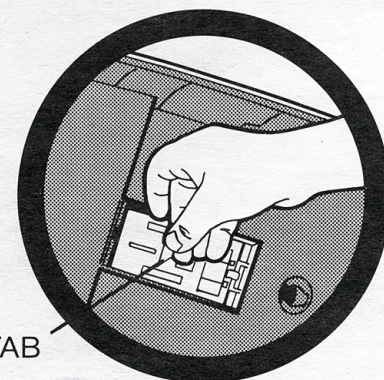
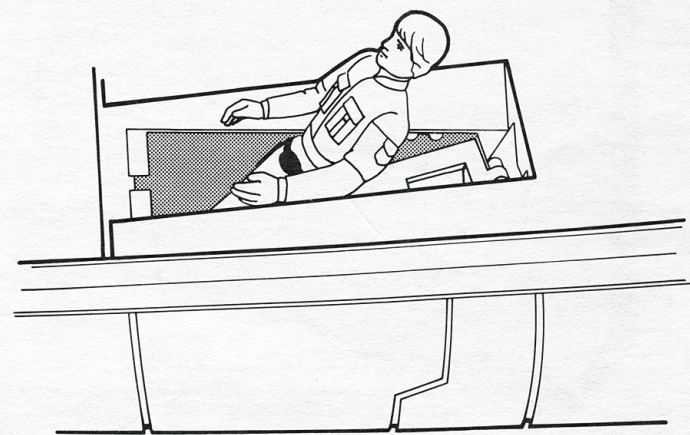
6. If Escape Hatch door comes off, simply snap it back into place as shown.



Stand figures on pegs in Crew Chamber. Two figures sit in Cockpit, one figure sits in rear Gun Turret.



There's even a Prisoner Compartment that prisoners can escape from by simply sliding through the Escape Hatch.

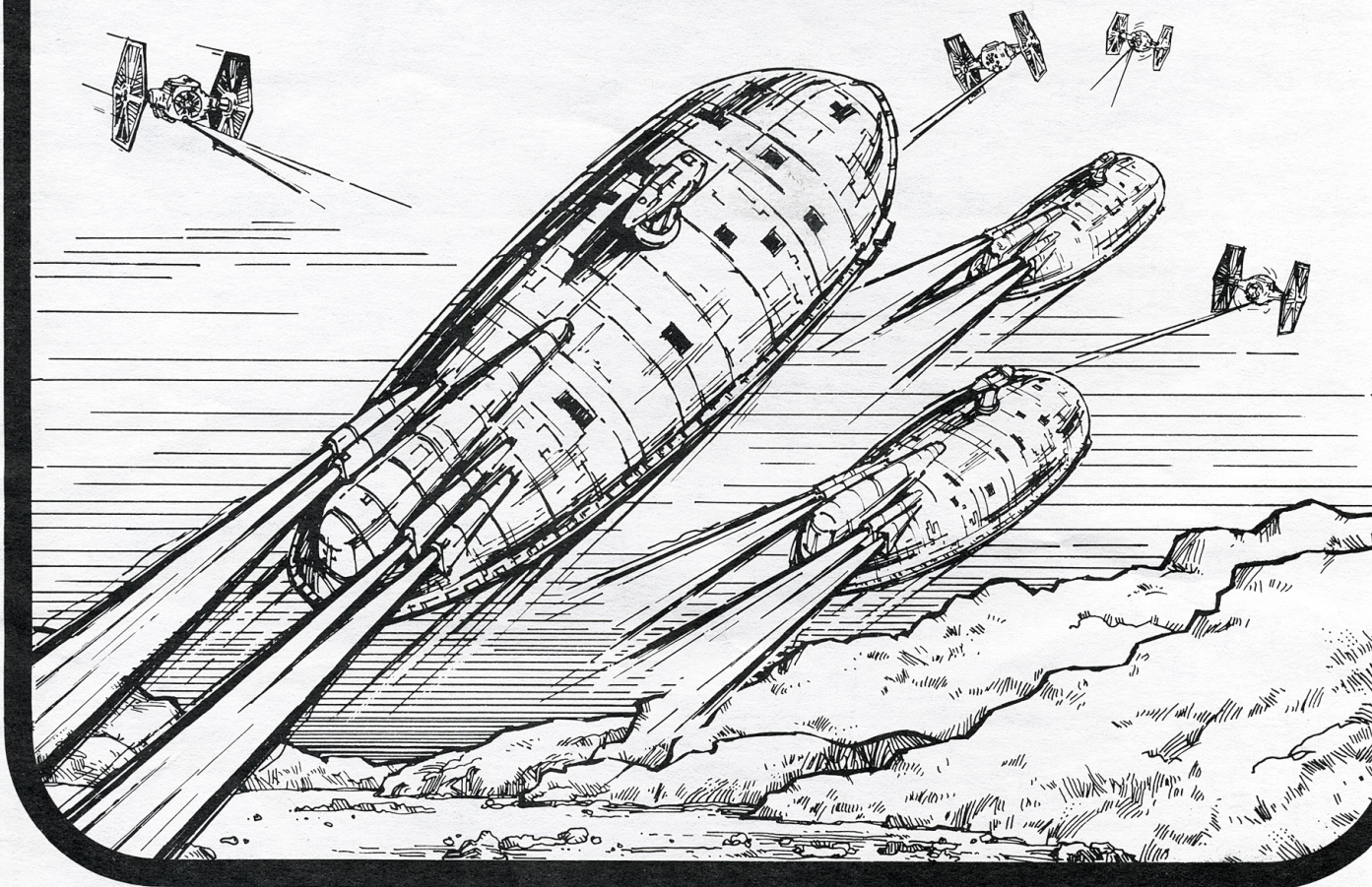


TAB

Close Hatch by lifting tab.

STAR THE EMPIRE STRIKES BACK WARS

REBEL TRANSPORT™ ASSEMBLY INSTRUCTIONS



WE REALLY DO CARE

We make each toy with lots of tender loving care... so, if something seems to be wrong, please read the instructions again carefully. If any part is missing or broken when you receive your toy, we will, as a service to you, replace it free of charge.

Please identify the name of any missing part (or parts) by using the instruction sheet description.

Simply fill out the form provided and send it along with the broken part to:

KENNER PRODUCTS
1014 VINE STREET
CINCINNATI, OHIO 45202
Attn: Consumer Relations



KENNER PRODUCTS
1014 VINE STREET
CINCINNATI, OHIO 45202

3rd CLASS MAIL

NAME _____

ADDRESS _____

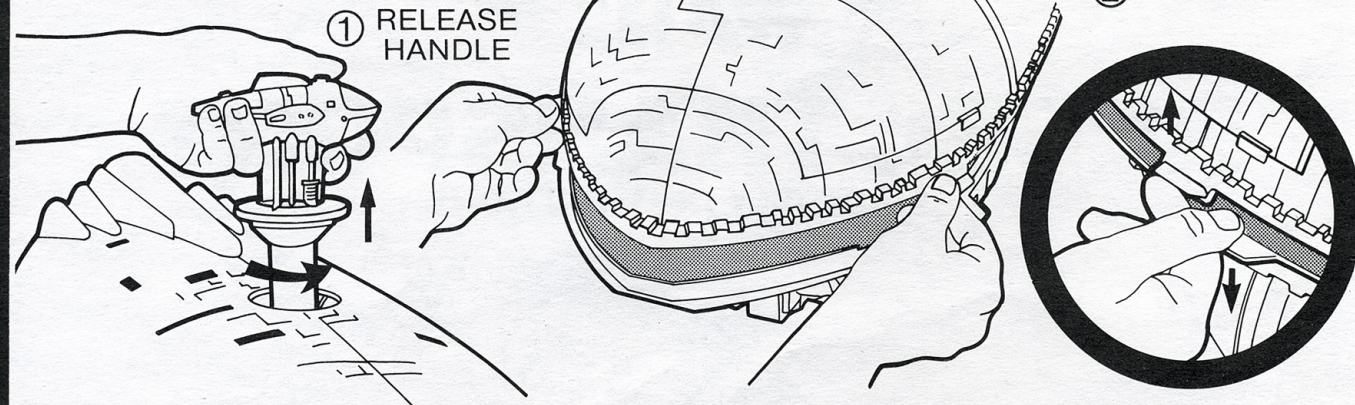
CITY _____

STATE _____ ZIP _____

NAME OF MISSING PART(S) _____ REBEL TRANSPORT

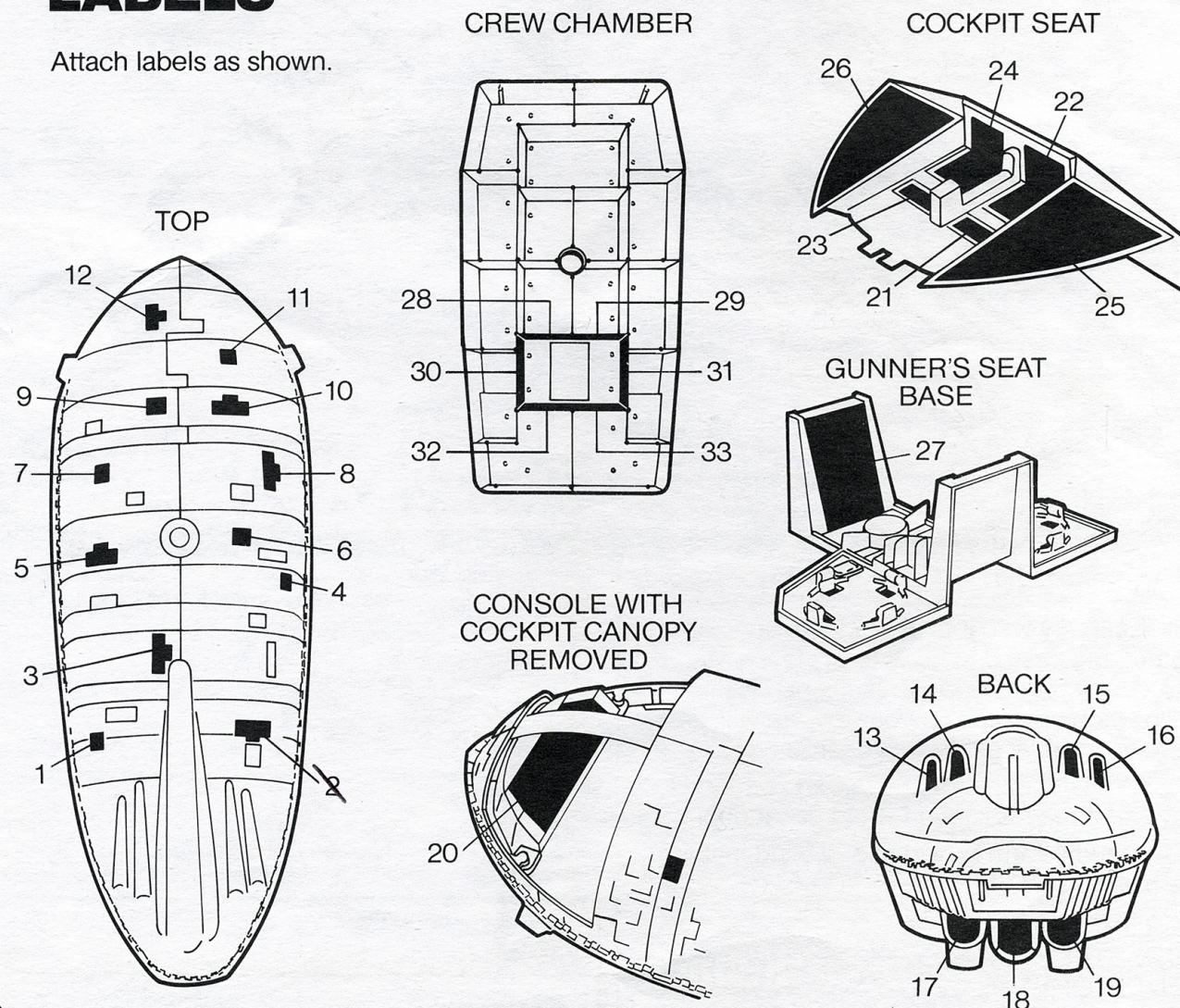
PLEASE RETURN BROKEN PART(S) _____

To Remove top of Rebel Transport,
 1. Push down slightly on handle and turn ¼ turn.
 2. Lift the tabs at front as shown.
 Press down on lower tab with thumb while lifting upper tab with finger.



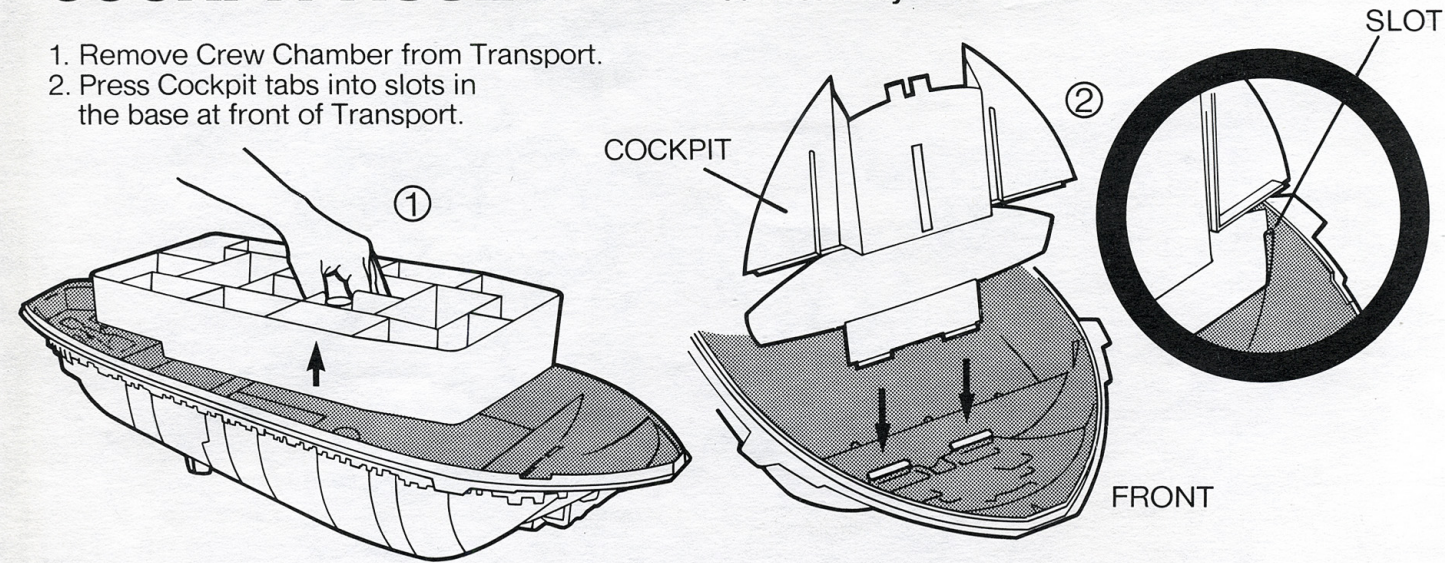
LABELS

Attach labels as shown.

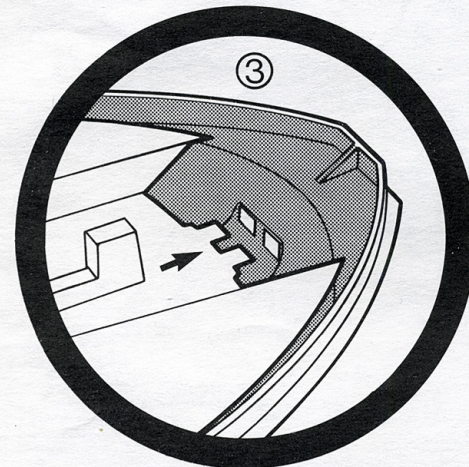


COCKPIT ASSEMBLY Adult Assembly

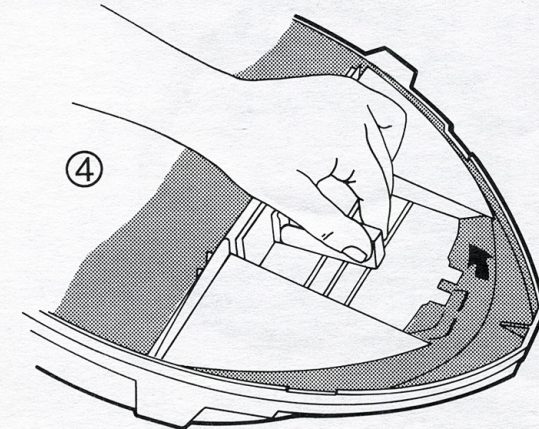
1. Remove Crew Chamber from Transport.
2. Press Cockpit tabs into slots in the base at front of Transport.



3. Fold seat section down and lock tabs into slots in the front of the base.

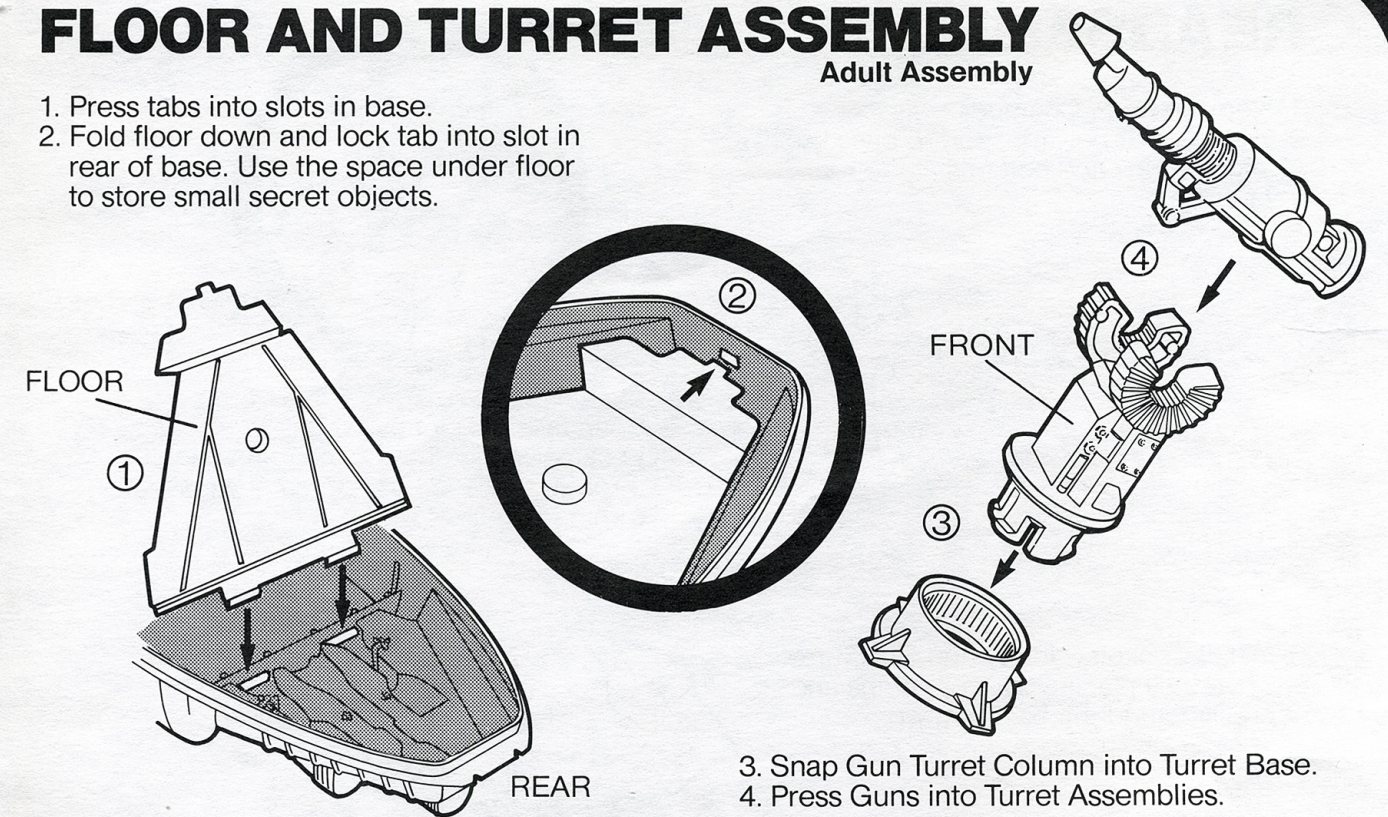


4. To open secret storage compartment, pull back and up on console. Use it to store your Star Wars Action Figure accessories.

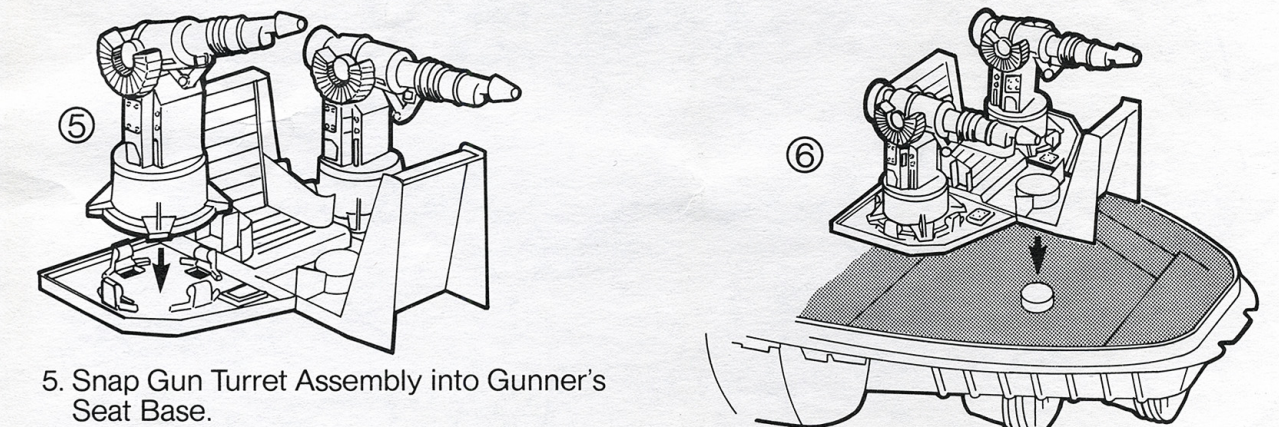


FLOOR AND TURRET ASSEMBLY Adult Assembly

1. Press tabs into slots in base.
2. Fold floor down and lock tab into slot in rear of base. Use the space under floor to store small secret objects.

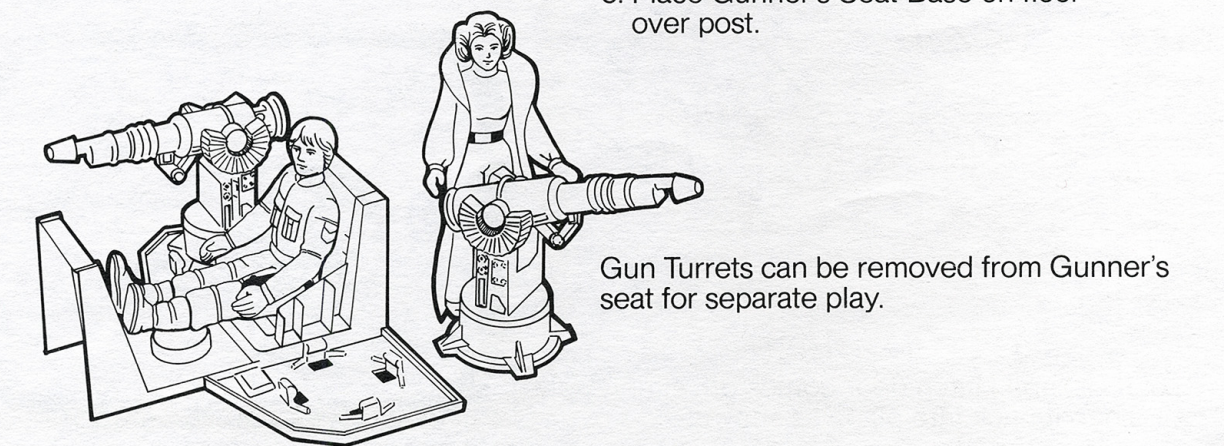


3. Snap Gun Turret Column into Turret Base.
4. Press Guns into Turret Assemblies.



5. Snap Gun Turret Assembly into Gunner's Seat Base.

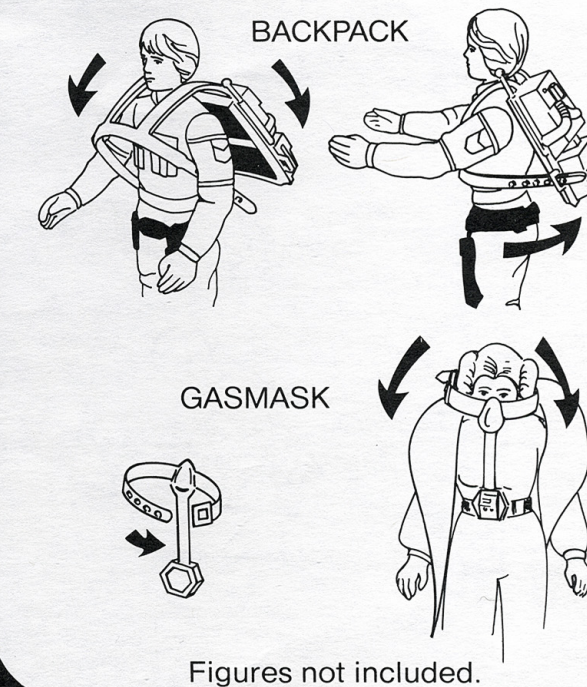
6. Place Gunner's Seat Base on floor over post.



Gun Turrets can be removed from Gunner's seat for separate play.

GAS MASKS AND BACK PACKS

Gas Masks and Back Packs fit most Action Figures. Attach them to your Action Figures as shown.



Figures not included.