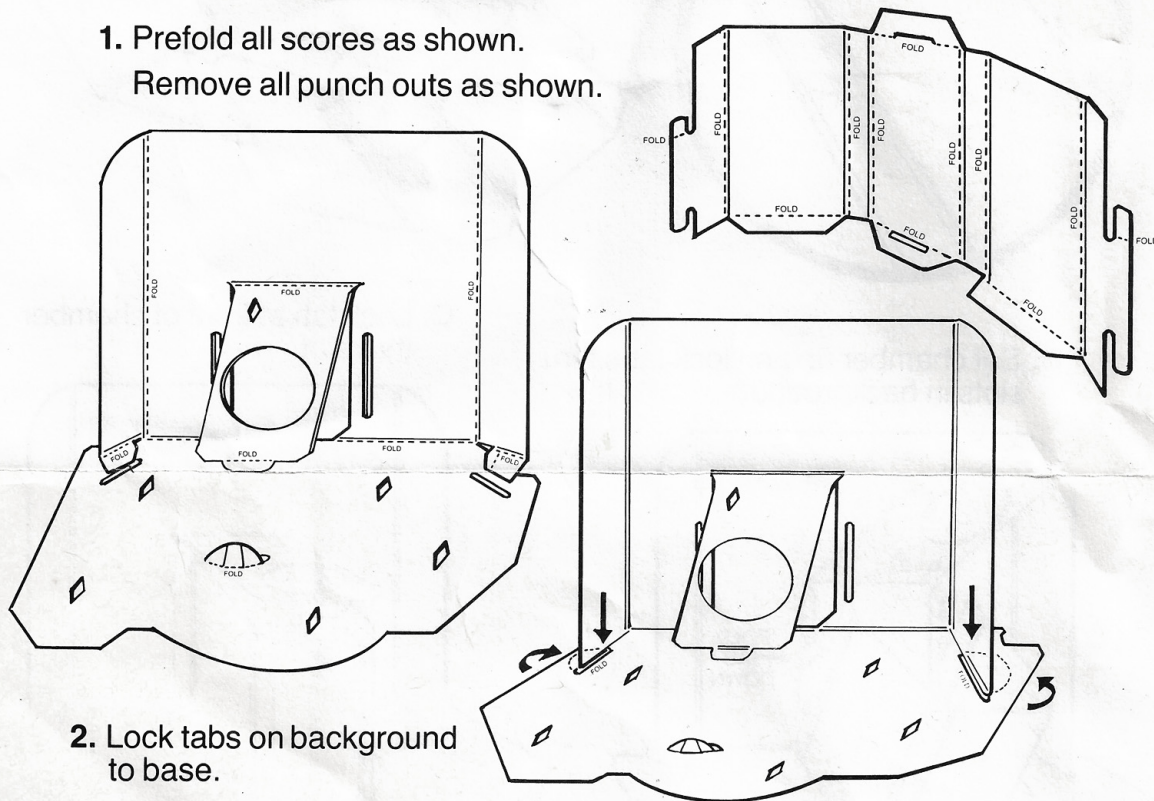


STAR THE EMPIRE STRIKES BACK WARS™

CLOUD CITY PLAYSET INSTRUCTION SHEET

1. Prefold all scores as shown.
Remove all punch outs as shown.



2. Lock tabs on background to base.

WE REALLY DO CARE

We make each toy with lots of tender loving care ... so, if something seems to be wrong, please read the instructions again carefully. If any part is missing or broken when you receive your toy, we will, as a service to you, replace it free of charge.

Please identify the name of any missing part (or parts) by using the instruction sheet description.

Simply fill out the form provided and send it along with the broken part to:

KENNER PRODUCTS
1014 VINE STREET
CINCINNATI, OHIO 45202
Attn: Consumer Relations



KENNER PRODUCTS
1014 VINE STREET
CINCINNATI, OHIO 45202

NAME _____

ADDRESS _____

CITY _____

STATE _____

ZIP _____

NAME OF MISSING PART(S)

PLEASE RETURN BROKEN PART(S)

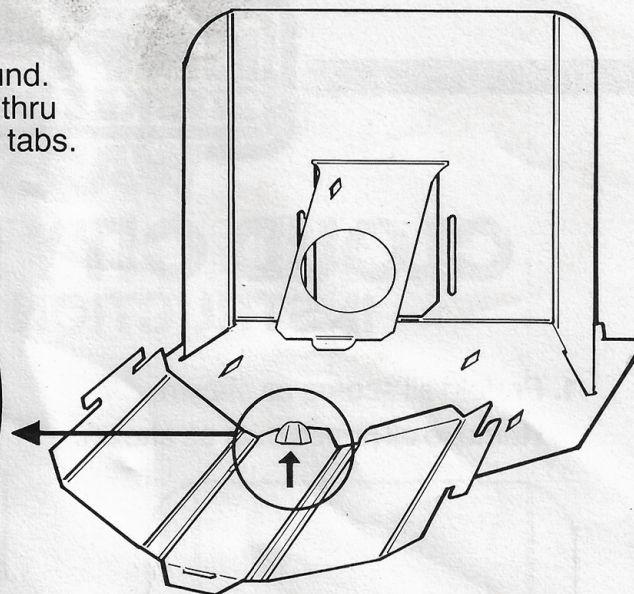
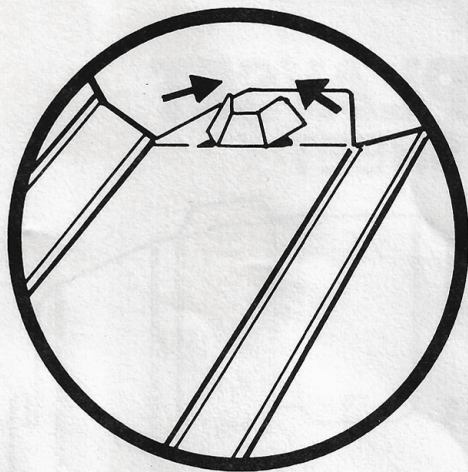
™TRADEMARK OWNED BY LUCASFILM, LTD. (LFL) AND USED BY KENNER UNDER AUTHORIZATION. ©1977, 1978, 1980 LUCASFILM, LTD. (LFL)



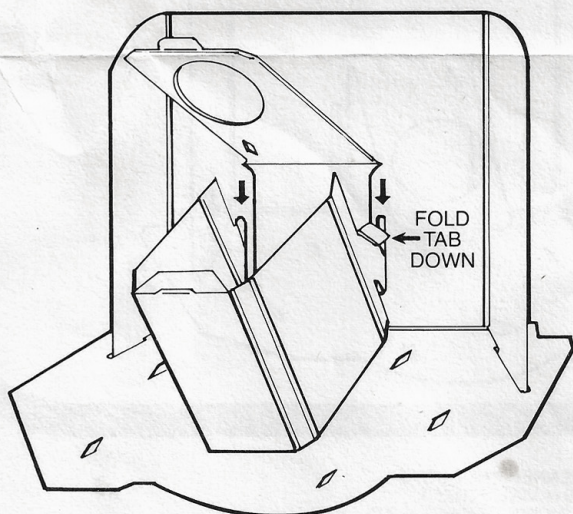
STAR WARS VISUAL GUIDES
WWW.JEDITEMPLEARCHIVES.COM

From the Collection of
George Telesco

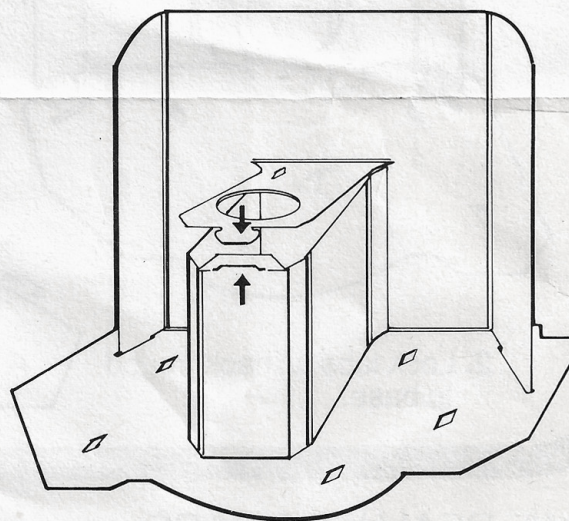
- 3. Attach chamber to background.**
A. Insert tab at bottom front thru slot in chamber and open tabs.



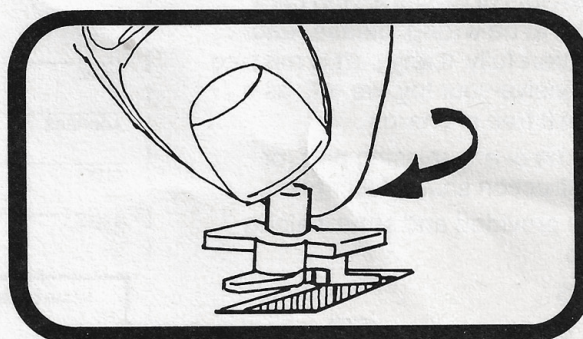
- B.** Set chamber up and lock tabs thru slots in background.



- C.** Lock tab at front of chamber thru slot.



- 4. Insert Action Figure pegs thru 6 holes as shown in illustration.**



735-043-00