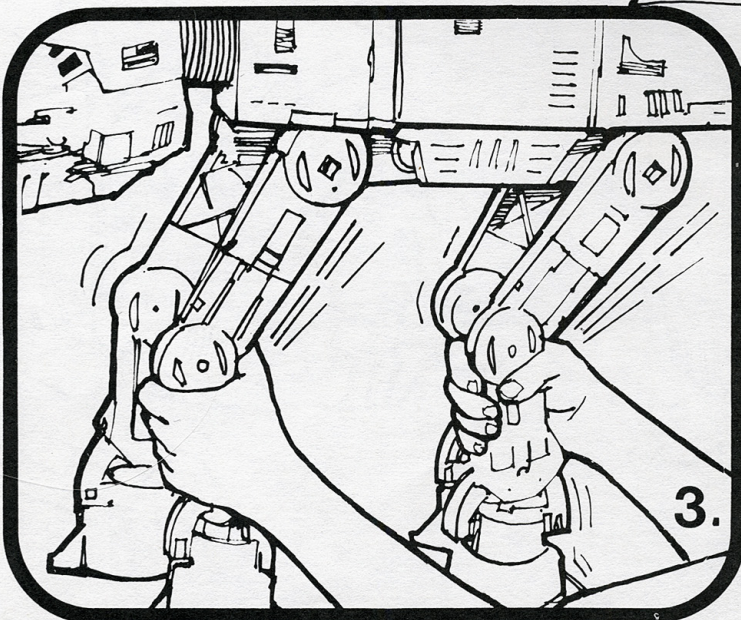
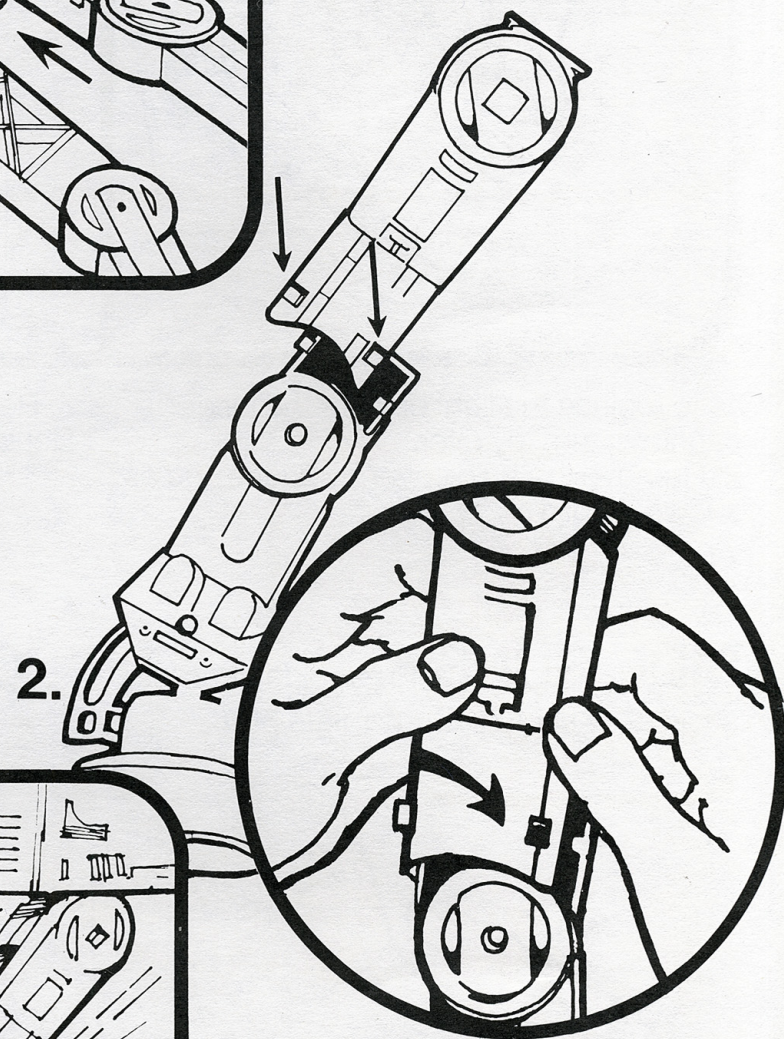


OPERATION OF LEGS

Legs are designed to pop off.
1. If a leg comes off at the hip joint, slide it back into place as shown. Press until it clicks.

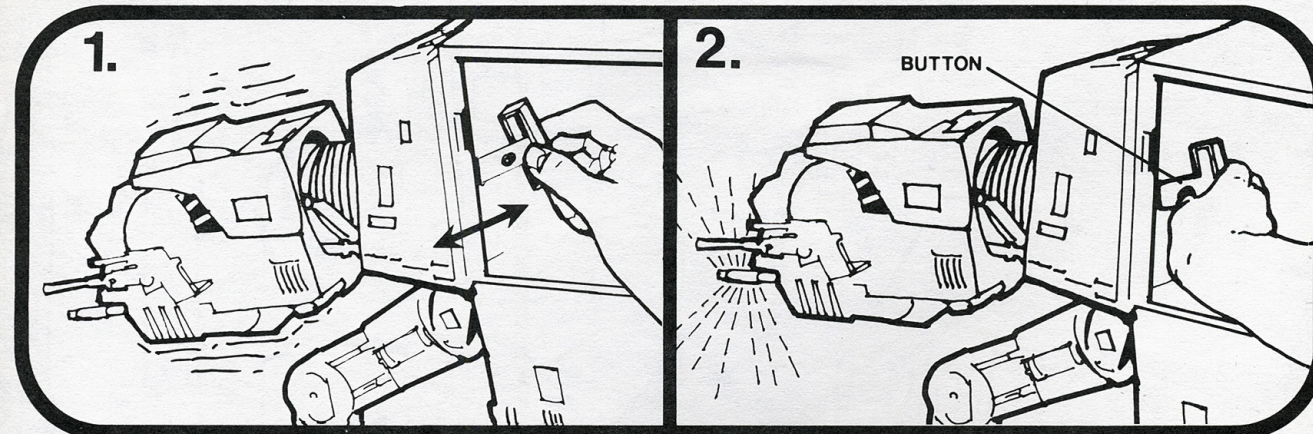
2. If knee joints separate, snap them back together as shown.



3. Position legs by firmly rotating at hip and knee joints.

OPERATION OF HEAD

The head control stick and laser cannon firing button are located inside the body.

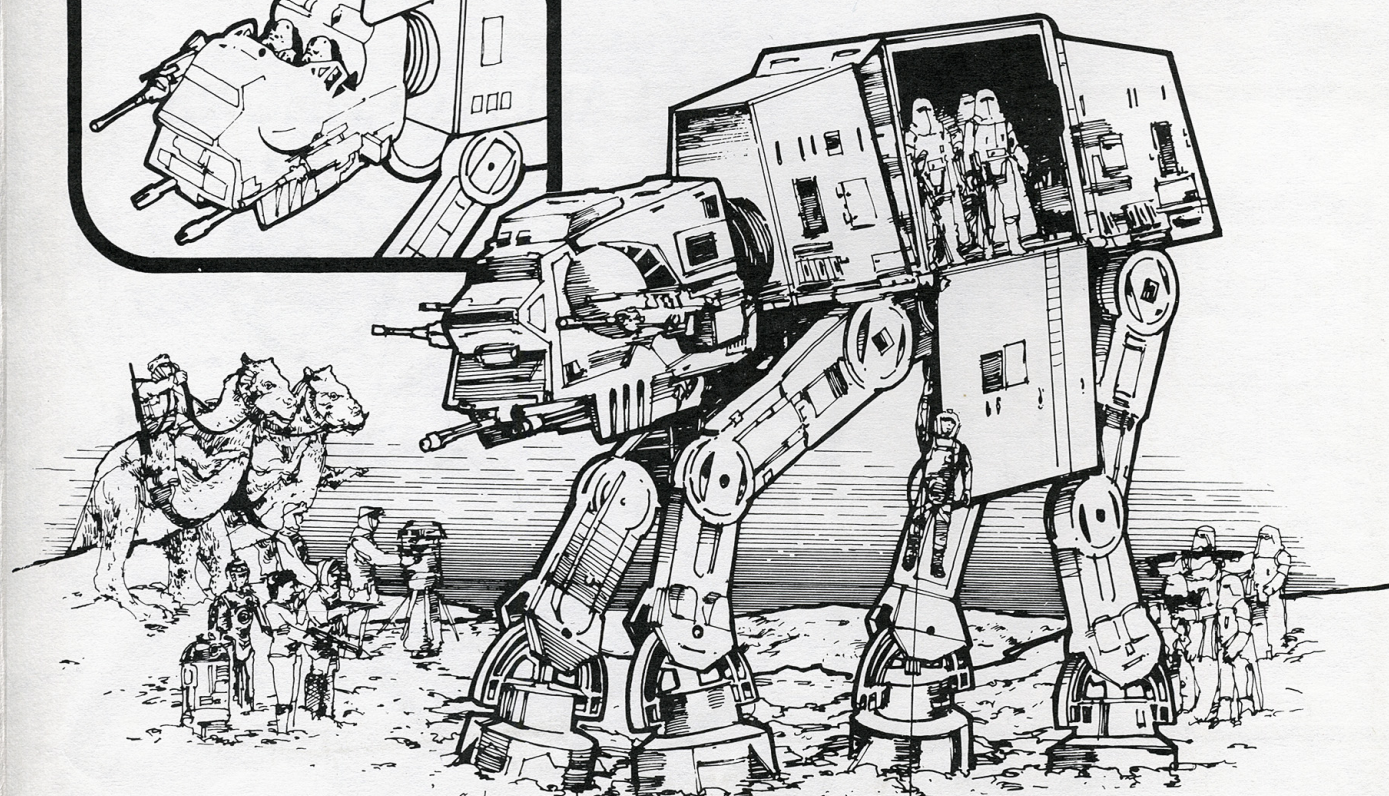
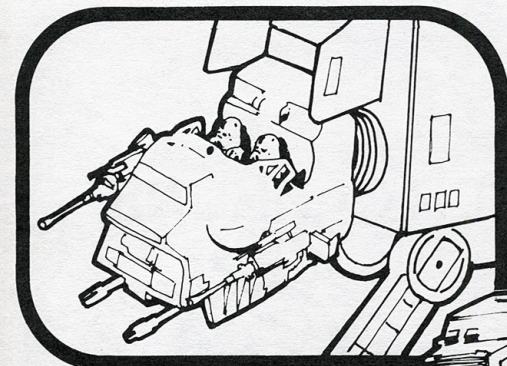


1. Head can be raised, lowered and moved from side to side by moving the control stick. Push control stick in and out to move head up and down.

2. To fire laser cannon, press the button on the side of the stick.

COCKPIT

Most Action Figures fit in the cockpit.

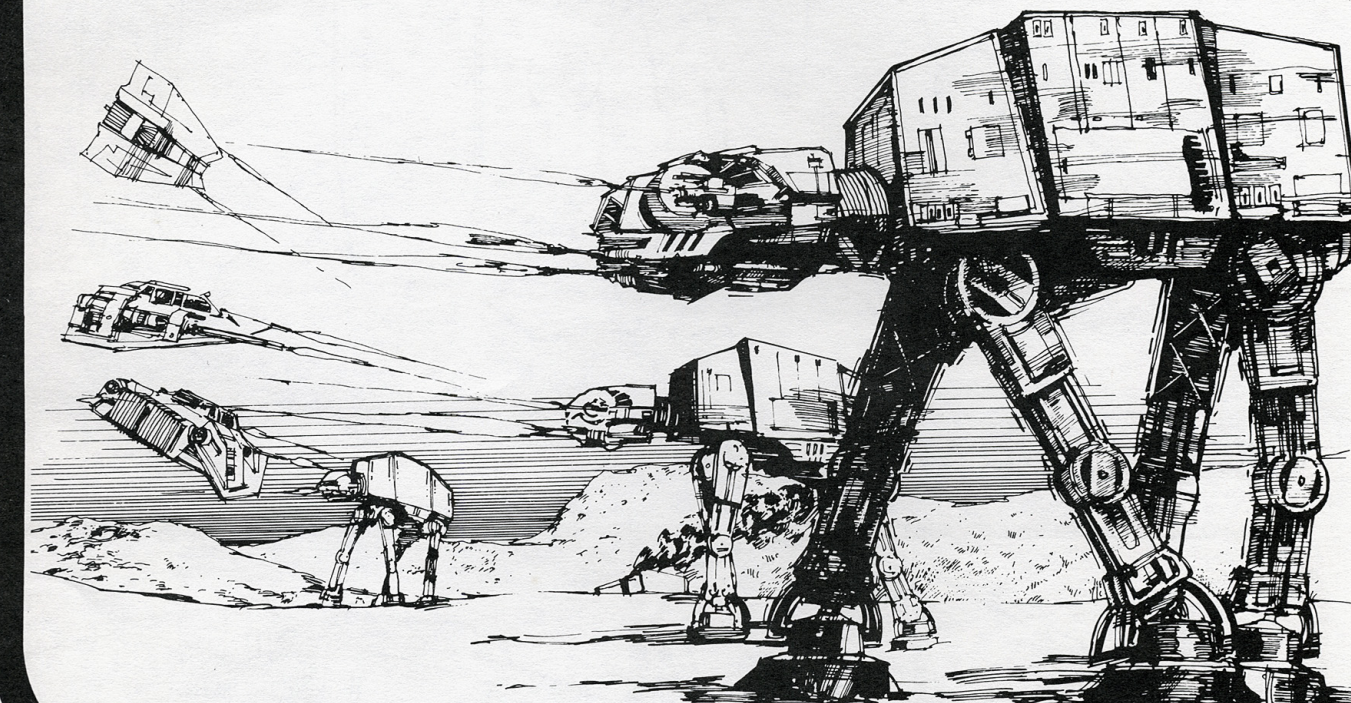


From the exciting battle scenes on Hoth Ice Planet, recreate all the action, using your AT-AT Vehicle, Action Figures and other Star Wars toys.

STAR
THE
**EMPIRE
STRIKES BACK**
WARS

AT-AT

ALL TERRAIN - ARMORED TRANSPORT
ASSEMBLY INSTRUCTIONS



WE REALLY DO CARE

We make each toy with lots of tender loving care... so, if something seems to be wrong, please read the instructions again carefully. If any part is missing or broken when you receive your toy, we will, as a service to you, replace it free of charge.

Please identify the name of any missing part (or parts) by using the instruction sheet description. Simply fill out the form provided and send it along with the broken part to:

KENNER PRODUCTS
1014 VINE STREET
CINCINNATI, OHIO 45202
Attn: Consumer Relations

Kenner
Meets or exceeds all safety requirements of Product Standard 72-76

KENNER PRODUCTS
1014 VINE STREET
CINCINNATI, OHIO 45202

3rd CLASS MAIL

NAME _____

ADDRESS _____

CITY _____

STATE _____ ZIP _____

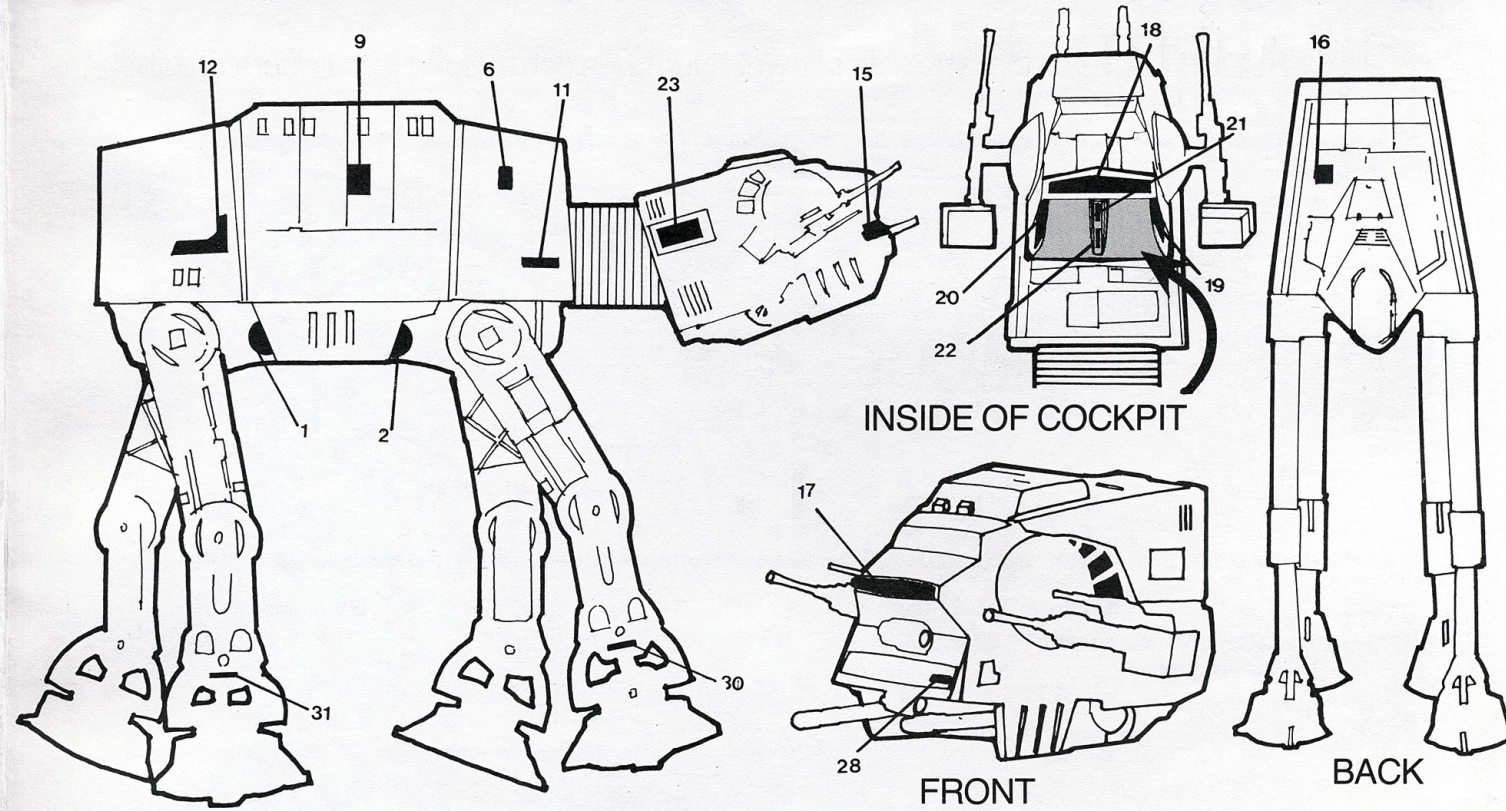
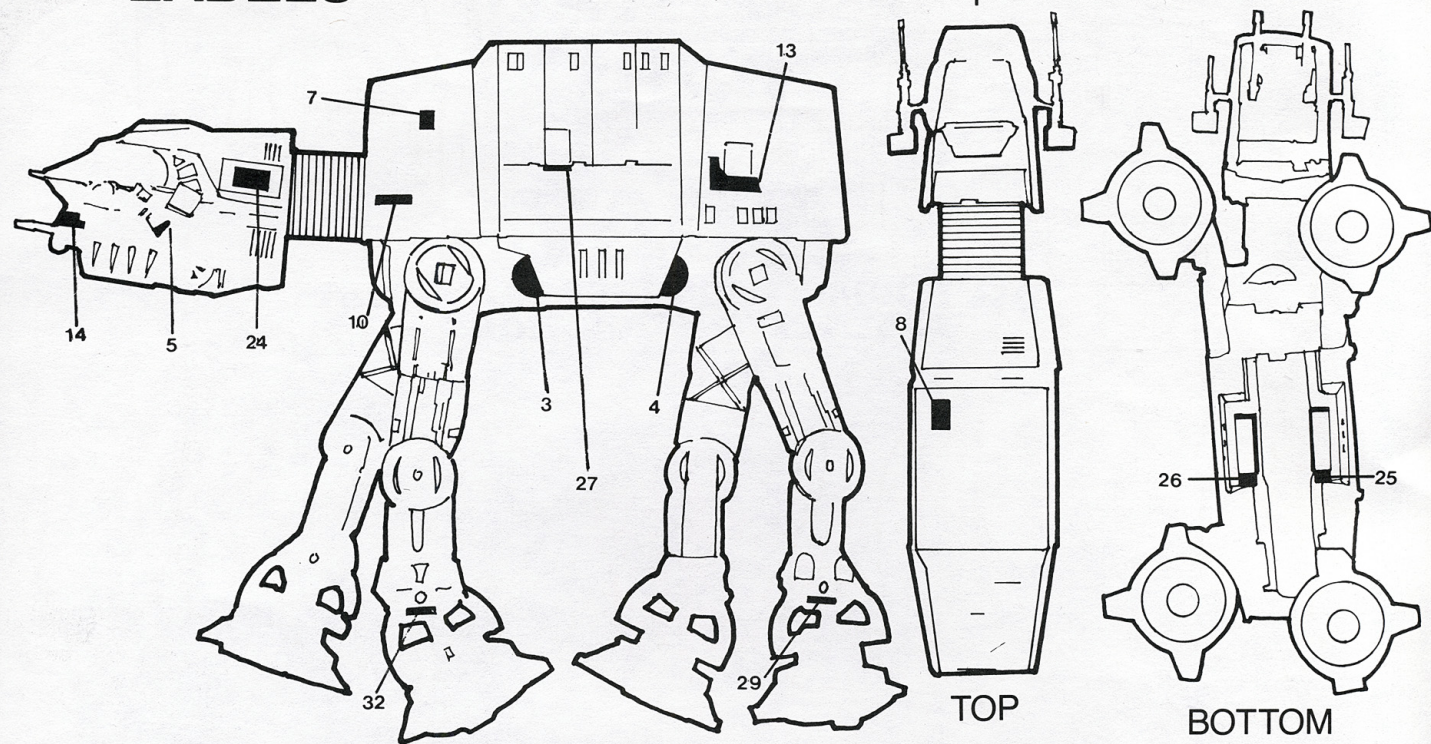
NAME OF MISSING PART(S) _____ AT-AT

PLEASE RETURN BROKEN PART(S)

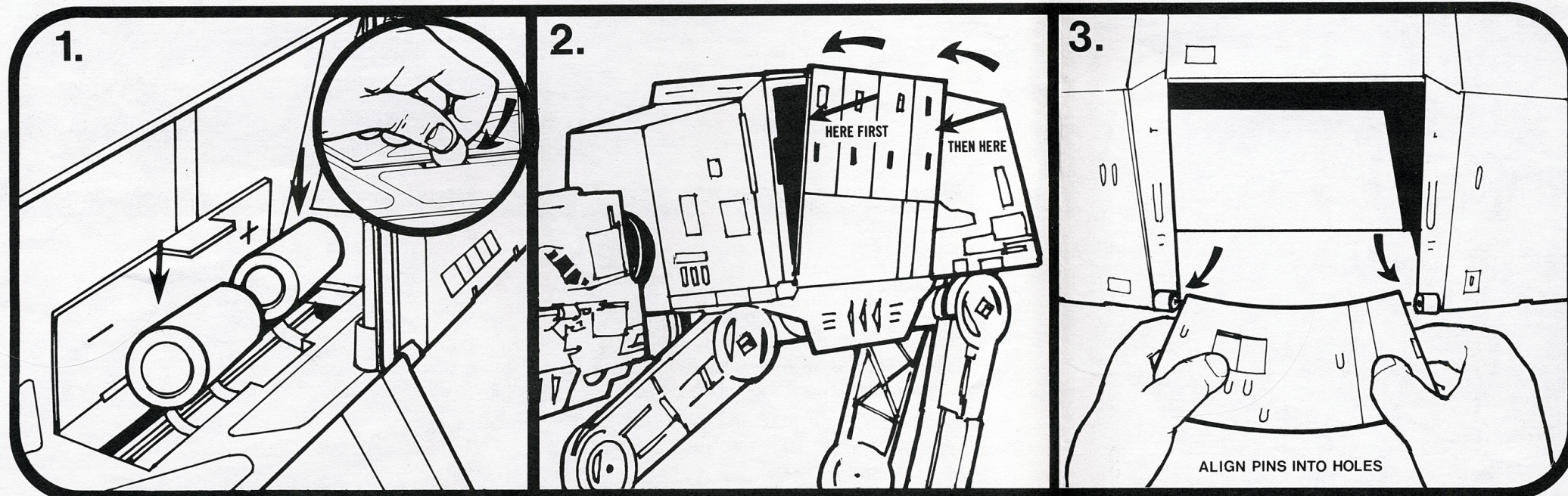
1-086-045-00

©LUCASFILM, LTD. (LFL) 1981.™TRADEMARK OWNED BY LUCASFILM, LTD. (LFL) AND USED BY KENNER UNDER AUTHORIZATION. OPG Products Corp., a subsidiary of General Mills, Inc. by its Division Kenner Products, Cincinnati, Ohio 45202

LABELS Attach labels as shown. Numbers correspond to numbers on label sheet.

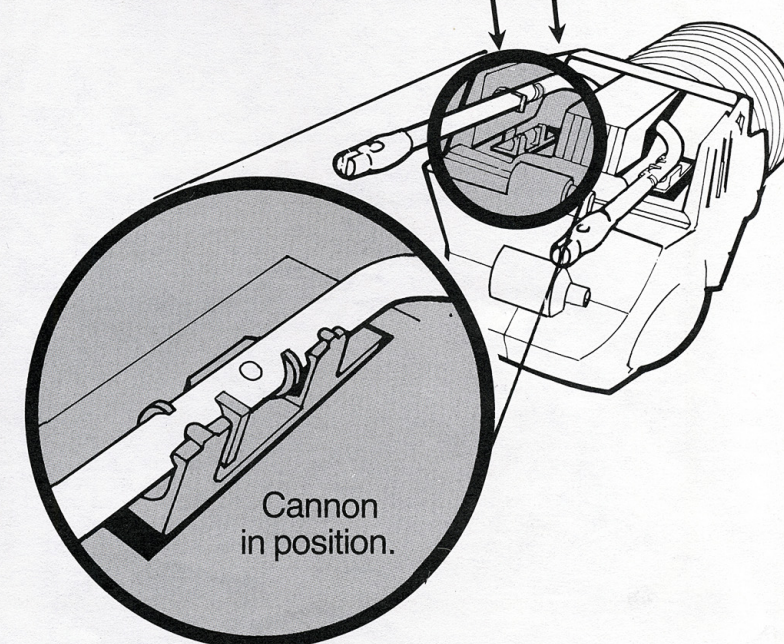


INSTALL BATTERIES



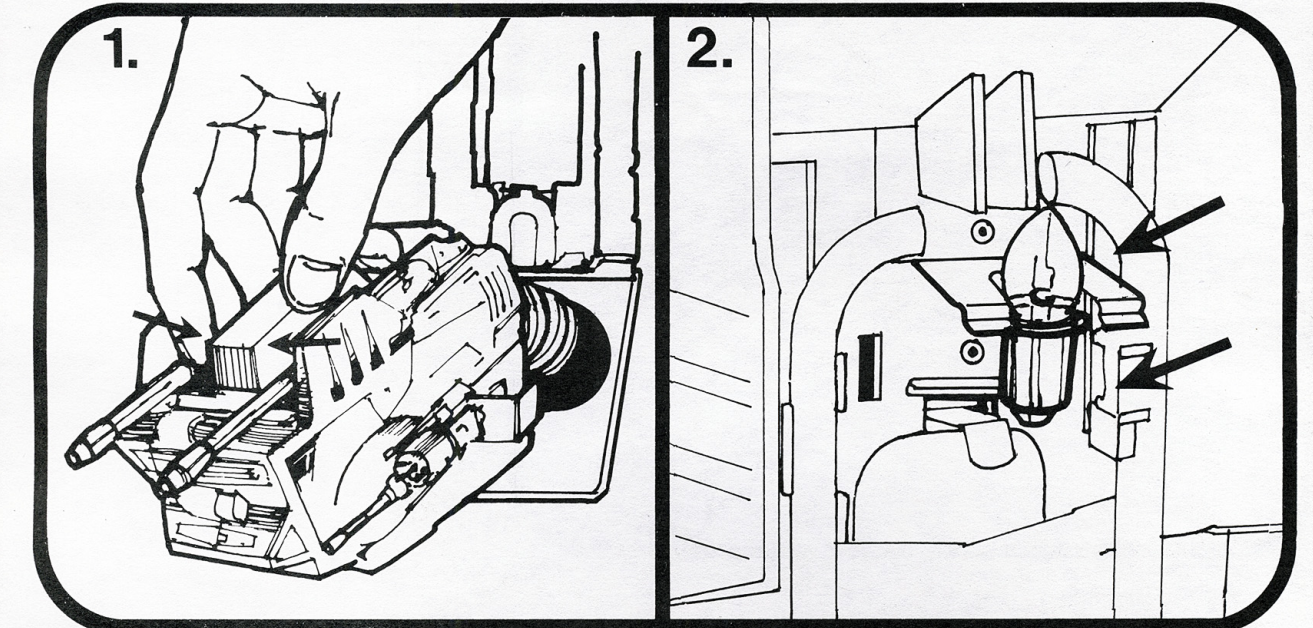
1. To open side door, place finger in hole and pull. Remove battery cover with coin. Install two Alkaline "D" cell batteries as indicated.
2. To close cover, press latches as shown, one side at a time.
3. If door comes off, replace as shown.

LASER CANNONS



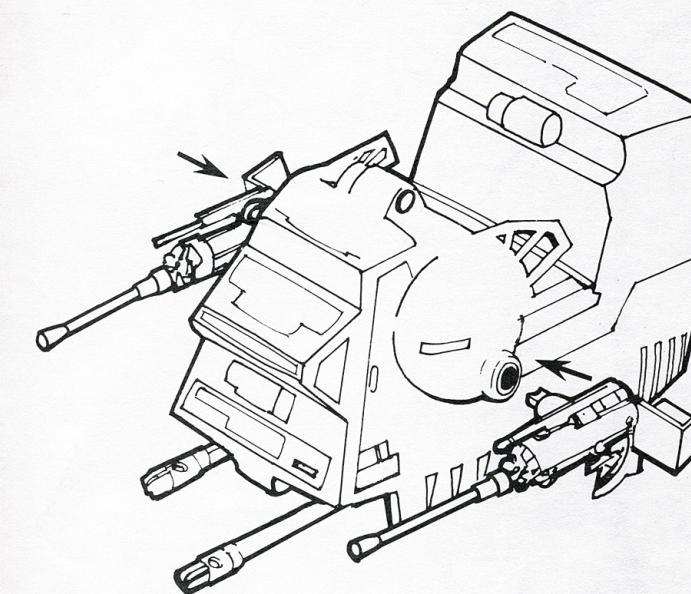
1. Turn toy over.
2. Snap cannons into place as shown.

LIGHT BULB REPLACEMENT



1. To replace the light bulb for the laser cannons, turn toy over.
2. Remove the bulb cover by squeezing as shown. (Fig. 1)
3. Replace burned out bulb with PR-2. Replace cover. (Fig. 2)

SIDE GUNS Press side guns into sockets as shown. Guns rotate 360°.



CANOPY Attach canopy as shown.

