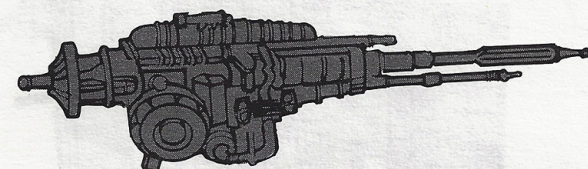


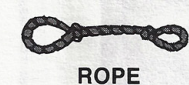
STAR WARS

©1977 Twentieth Century-Fox Film Corporation

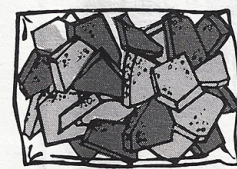
DEATH STAR SPACE STATION



LASER CANNON



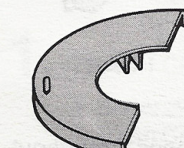
ROPE



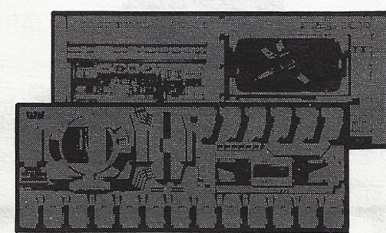
"TRASH"



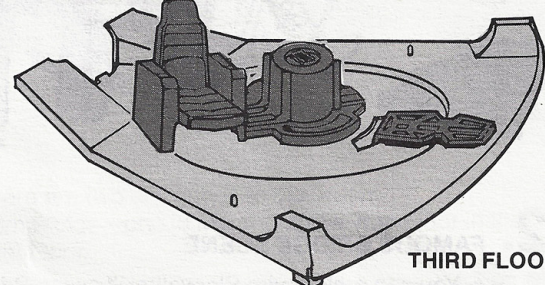
TRASH MONSTER



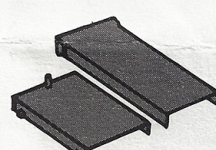
LEDGE



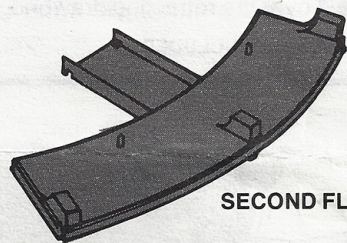
INSTRUMENT PANELS



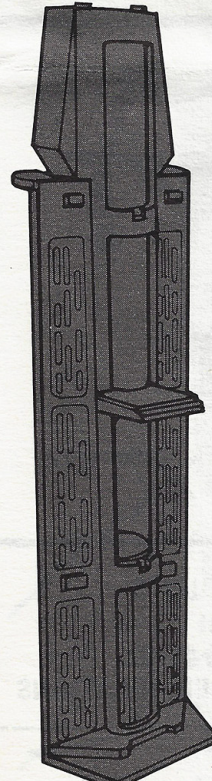
THIRD FLOOR



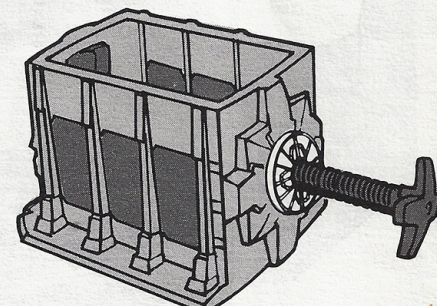
BRIDGE ASSEMBLY



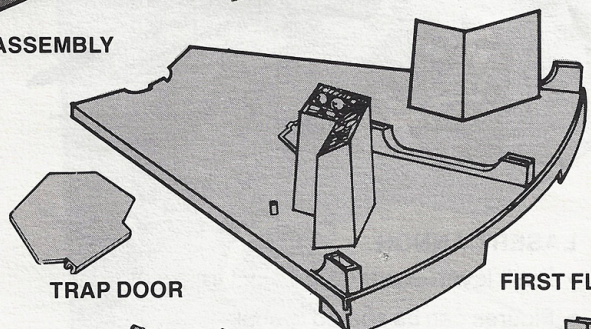
SECOND FLOOR



ELEVATOR SHAFT



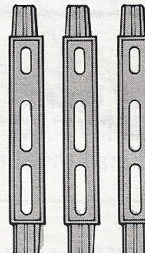
TRASH COMPACTOR



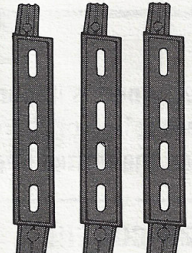
FIRST FLOOR



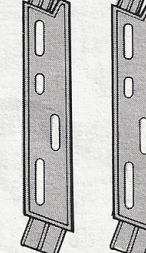
BRIDGE SUPPORT COLUMN



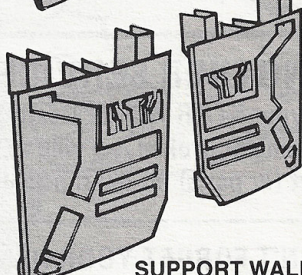
FIRST FLOOR COLUMNS



SECOND FLOOR COLUMNS



THIRD FLOOR COLUMNS

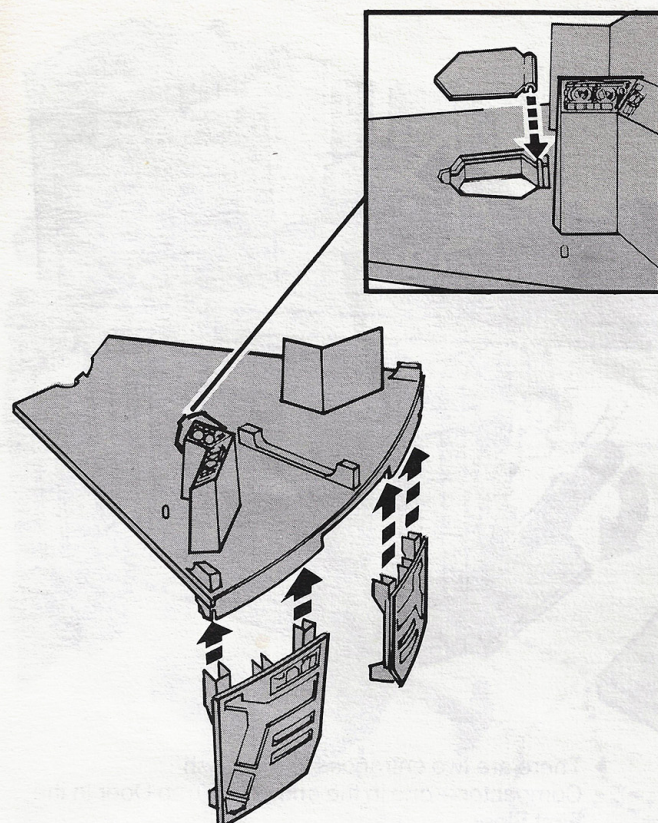


SUPPORT WALLS

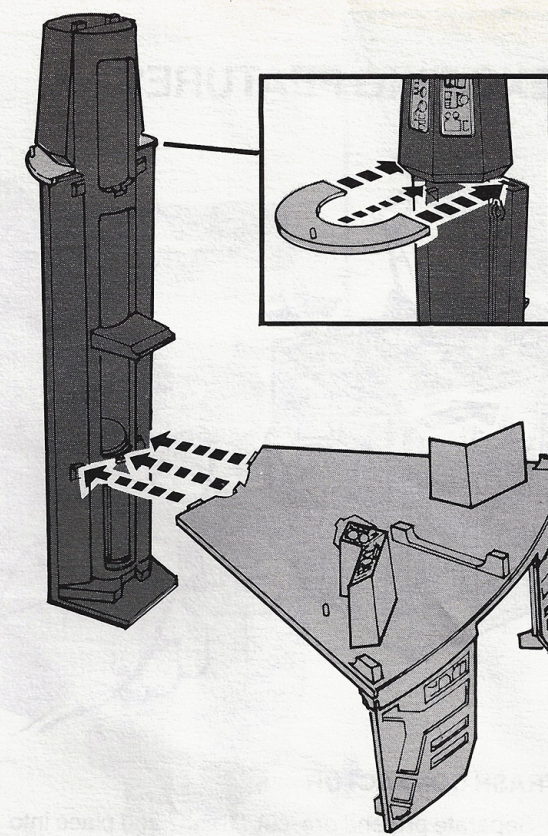
™ Trademarks of Twentieth Century-Fox Film Corporation
 Characters ©1977 Twentieth Century-Fox-Film Corporation
 Pictorial Content ©1977 Twentieth Century-Fox Film Corporation

©C.P.G. Products Corp. 1978

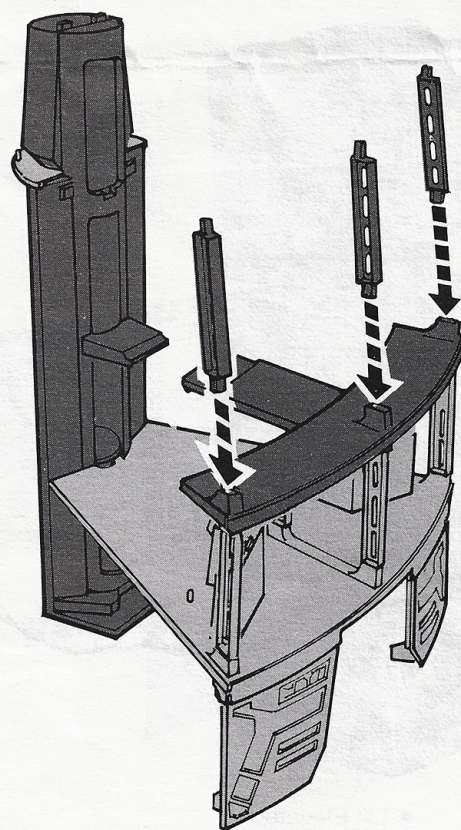
Kenner



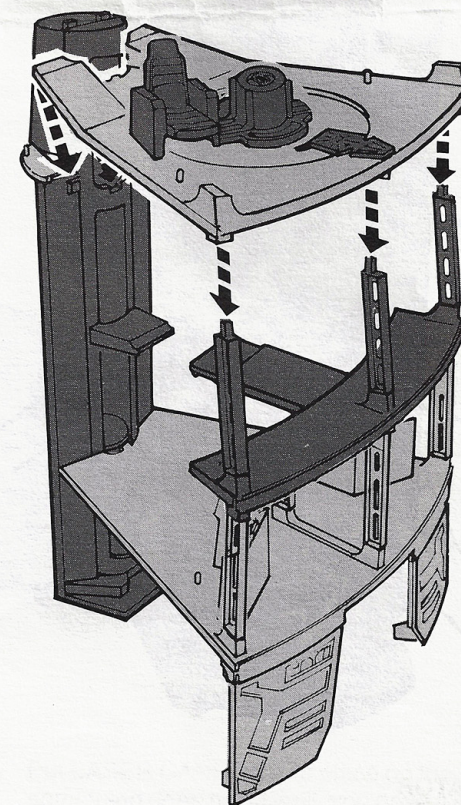
1. Snap TRAP DOOR into place on FIRST FLOOR as shown. Attach SUPPORT WALL to the First Floor.



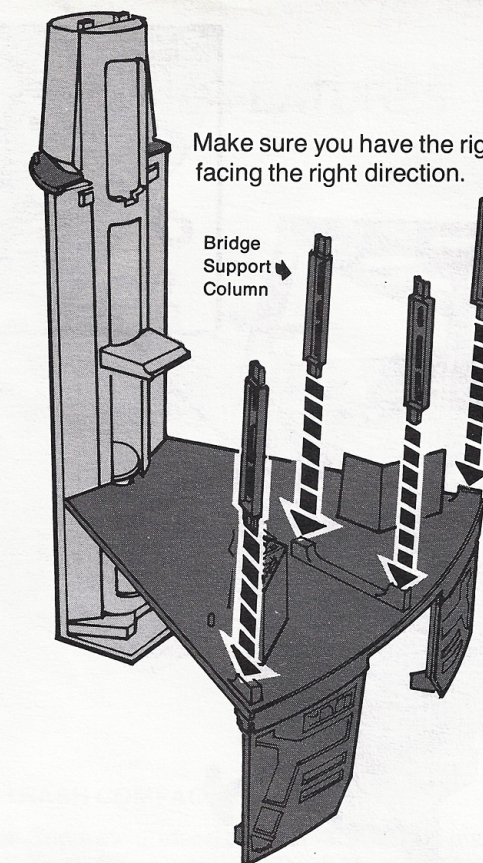
2. Hook First Floor onto ELEVATOR SHAFT. Attach LEDGE (above rib).



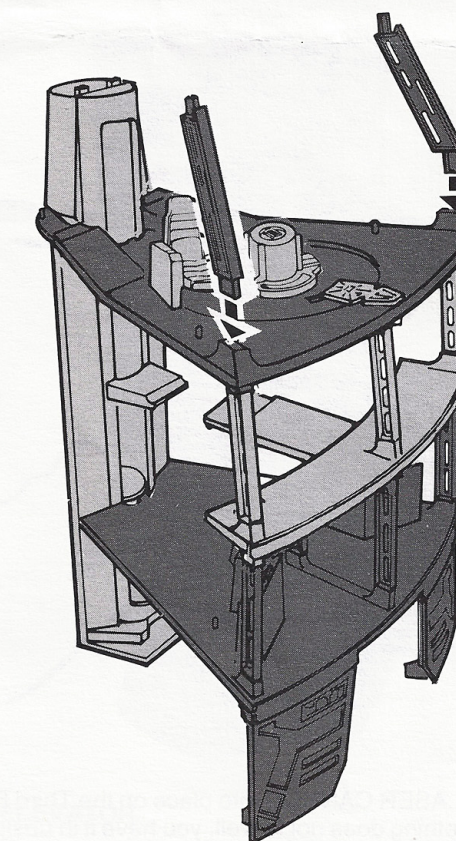
5. Add SECOND FLOOR COLUMNS to Second Floor. **IMPORTANT:** Columns go in only **ONE WAY**... the way we show.



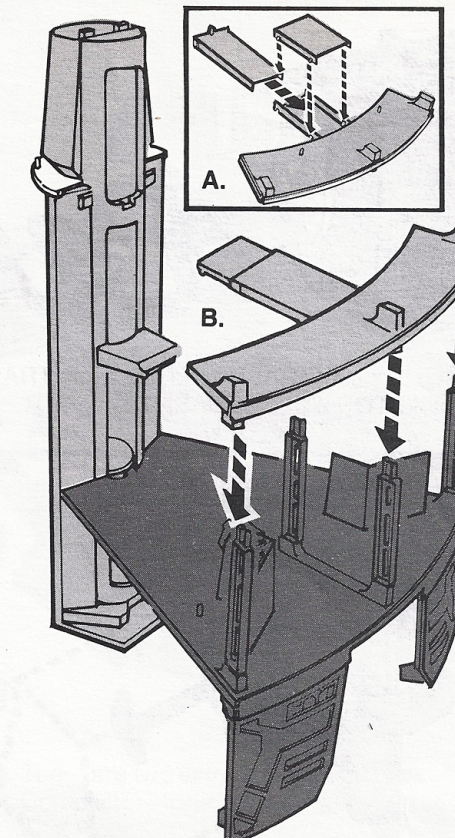
6. Place THIRD FLOOR onto columns and hook onto Elevator Shaft.



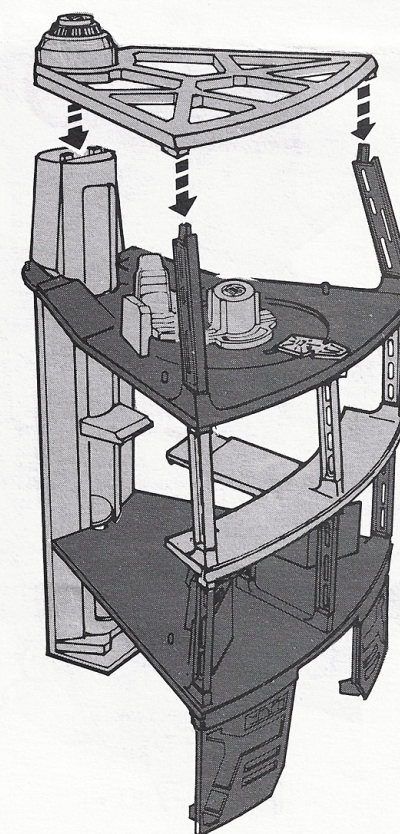
3. Build up by adding FIRST FLOOR COLUMNS to the First Floor. **IMPORTANT:** These columns go in only **ONE WAY**... the way we show.



7. Put THIRD FLOOR COLUMNS into place as shown.

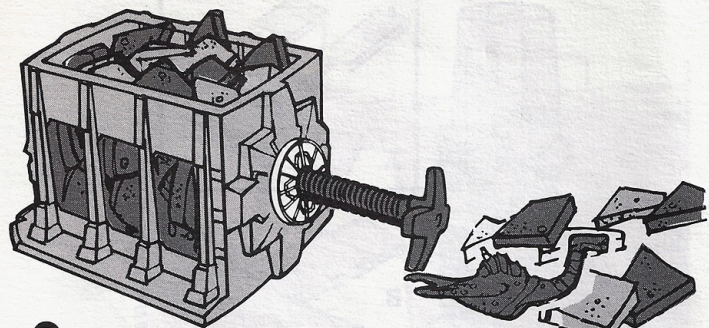


4. A. Snap BRIDGE onto SECOND FLOOR. B. Place Second Floor onto First Floor Columns.

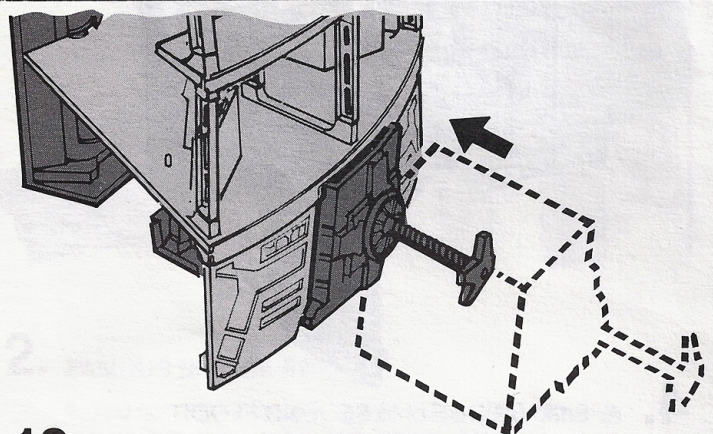


8. Place ROOF over Elevator and onto columns

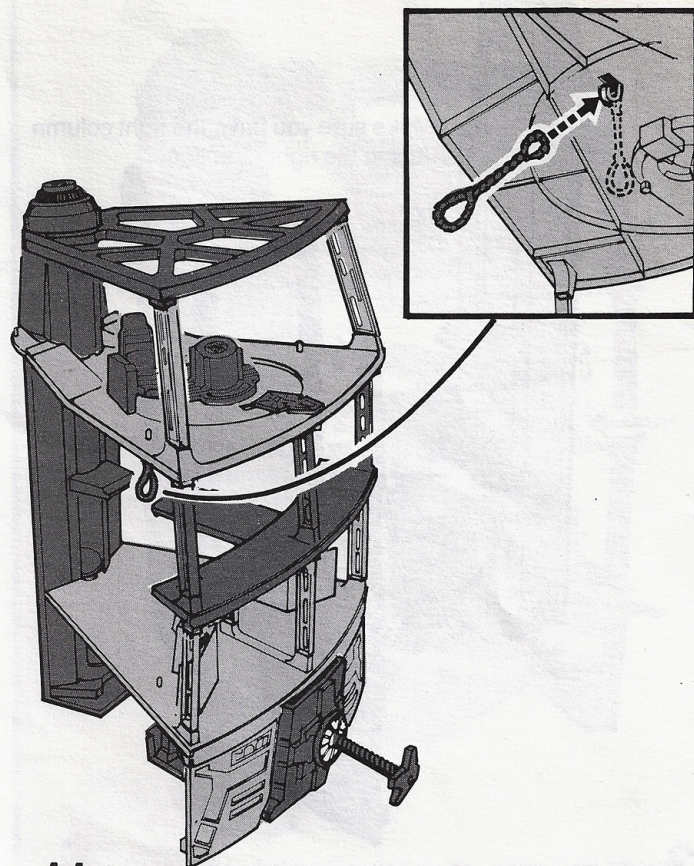
(Turn over this page)



9. Tear up pre-cut "TRASH" and place into TRASH COMPACTOR with the TRASH MONSTER.

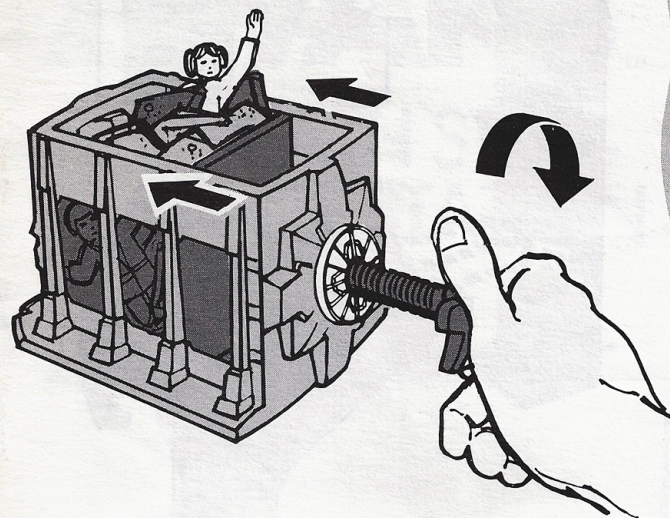


10. Put Trash Compactor into place under first floor.



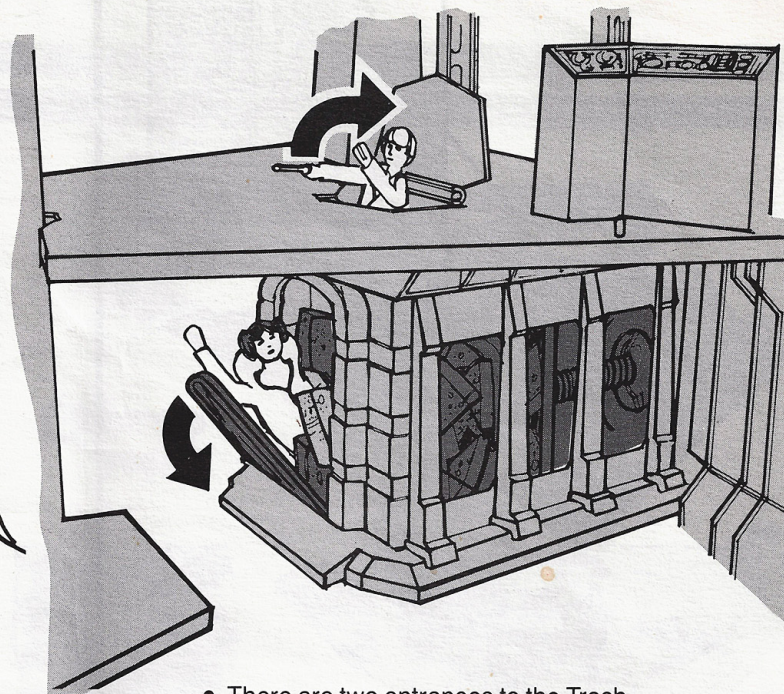
11. Hang small loop of plastic "rope" on hook under Third Floor.

EXCITING FEATURES



1. TRASH COMPACTOR

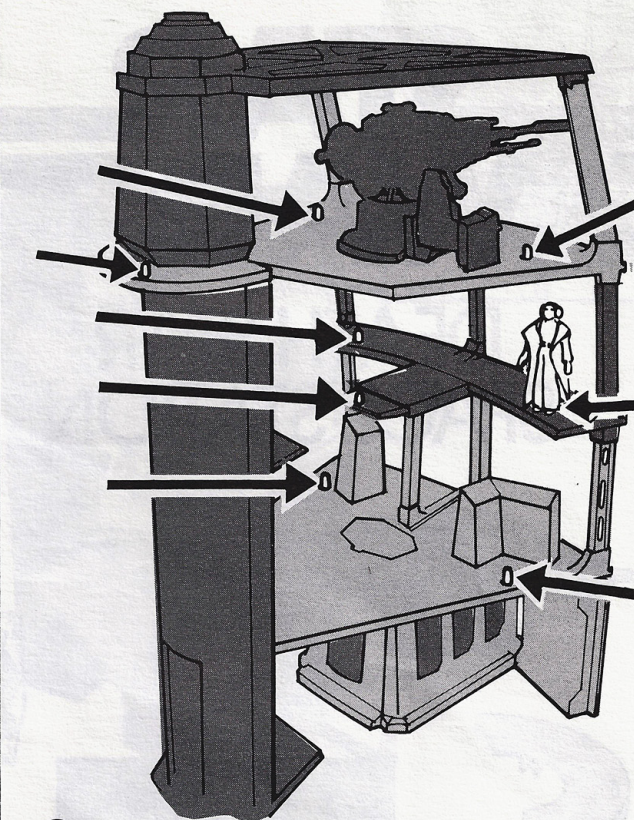
- Separate pretend pre-cut "Trash" and place into Trash Compactor with Trash Monster. (Add STAR WARS Mini-Action Figures as shown.)



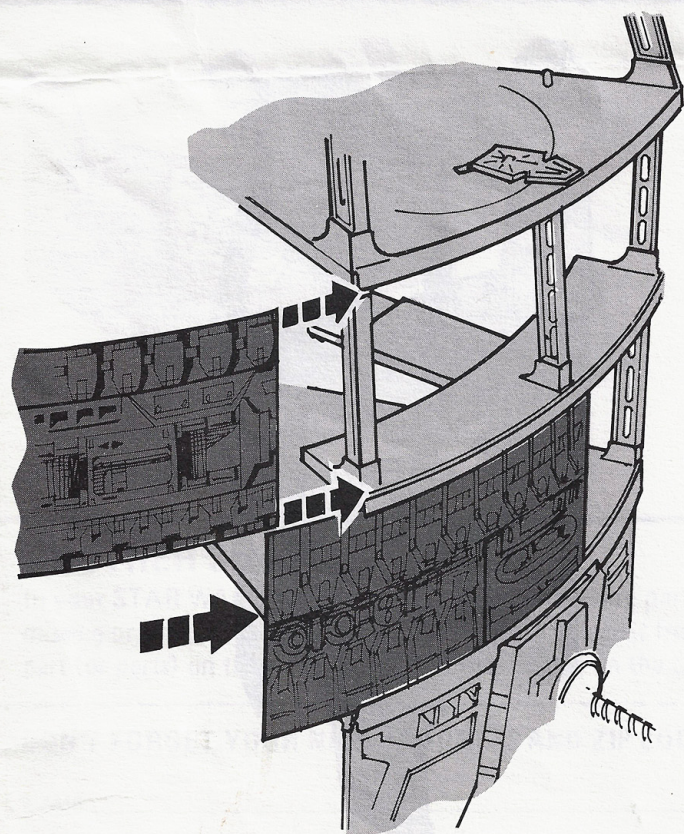
- There are two entrances to the Trash Compactor—one in the end and a Trap Door in the First Floor.
- Your Trash Compactor is designed to come apart rather than break. If it comes apart, simply line up the slots and press in.

2. FAMOUS BRIDGE SCENE

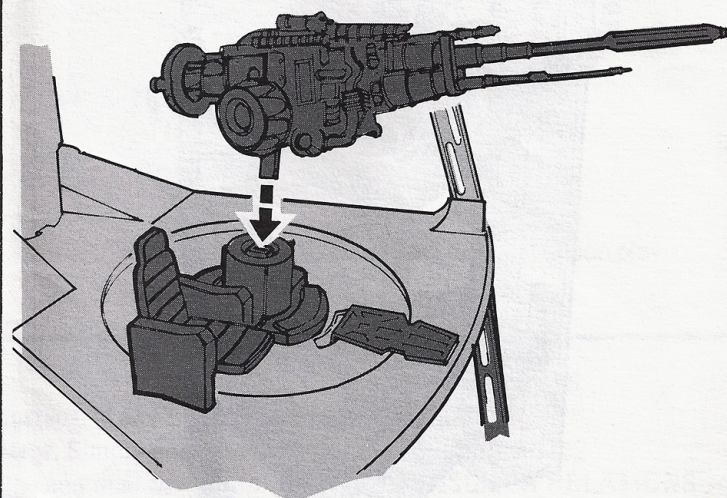
- You can make Luke Skywalker™ swing Princess Leia™ over the retracting drawbridge.
- FIGURES NOT INCLUDED



3. Stand Mini-Action Figures on the pegs throughout DEATH STAR.

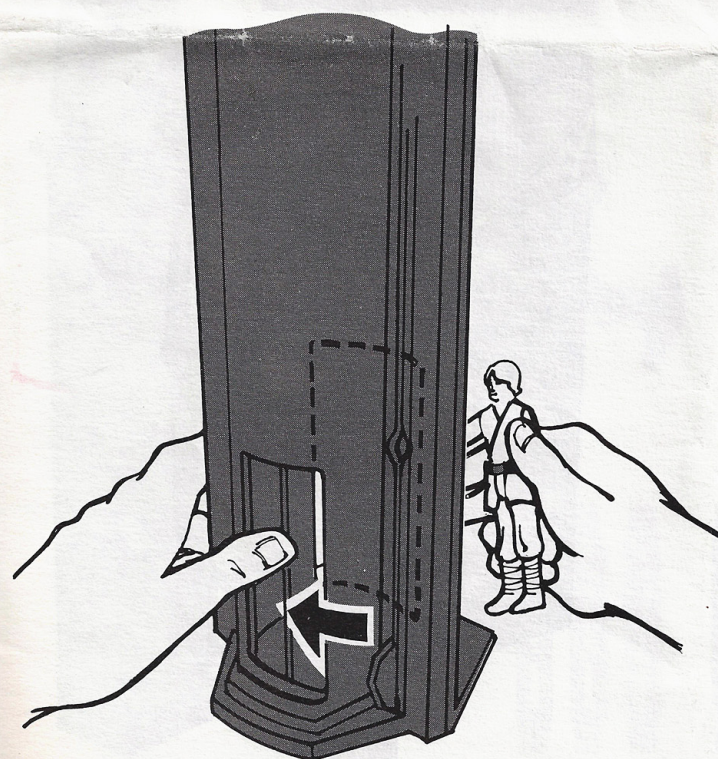


12. Slide INSTRUMENT PANELS into slots. Use your package as a guide.



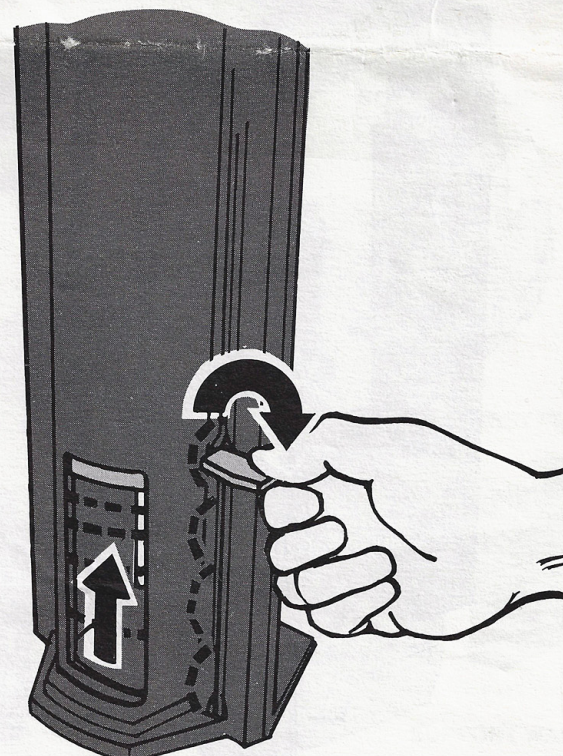
13. Put LASER CANNON into place on the Third Floor. If something does not fit well, you have it in upside down or backwards.

(Flip sheet over)



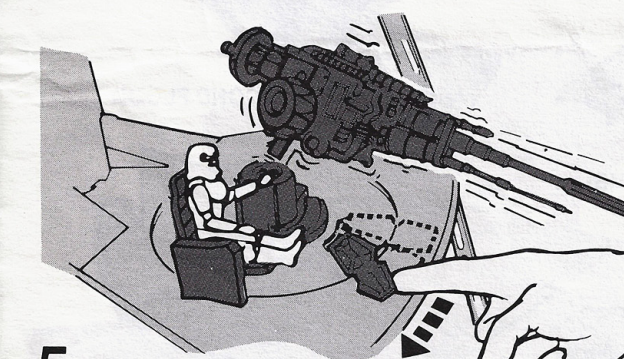
4. ELEVATOR

- Open by turning transparent door.



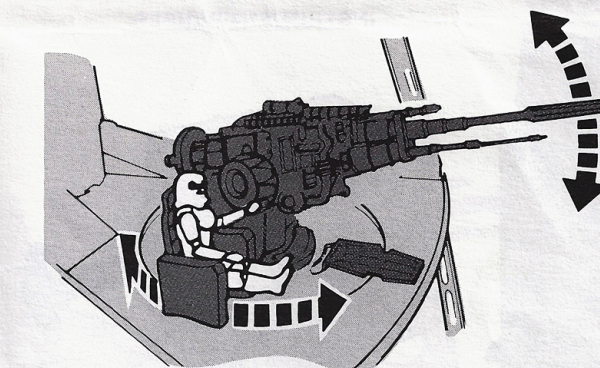
- Lift Elevator.
- Turn latch to lock Elevator into place.

TRASH MONSTER INCLUDED
OTHER FIGURES NOT INCLUDED



5. LASER CANNON

- Push lever—cannon will eject from slot.
- Figures can be seated in chair.



- Cannon raises, lowers, and turns for action play.
- FIGURES NOT INCLUDED

ANOTHER SERVICE TO YOU!

In your STAR WARS® Death Star™ Space Station, every part is important. If any part is missing or broken, we will, as a service to you, replace it free of charge. Simply check the part (or parts) on the slip that you need, cut it out on the dotted line and mail the slip to:

KENNER PRODUCTS
1014 Vine Street
Cincinnati, Ohio 45202
Attn. CONSUMER RELATIONS

DON'T FORGET YOUR NAME, ADDRESS AND ZIP CODE!!!

NAME _____

ADDRESS _____

CITY _____ STATE _____ ZIP _____

___ LASER CANNON	___ ELEVATOR SHAFT	___ ROPE
___ INSTRUMENT PANELS	___ SUPPORT WALLS	___ ROOF
___ TRASH COMPACTOR	___ BRIDGE ASSEMBLY	___ LEDGE
___ TRASH MONSTER	___ THIRD FLOOR	___ "TRASH"
___ DARK GREY COLUMNS	___ SECOND FLOOR	___ TRAP DOOR
___ LIGHT GREY COLUMNS	___ FIRST FLOOR	