

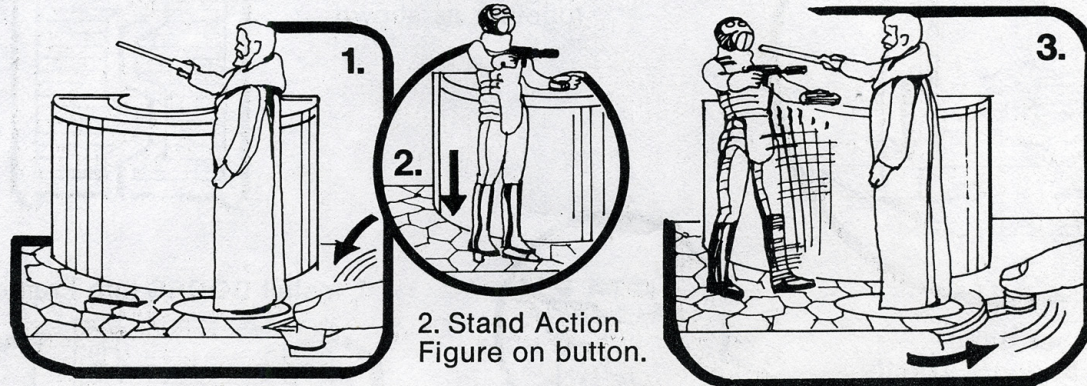
ACTION FEATURES

STAR WARS™ ACTION FIGURES NOT INCLUDED

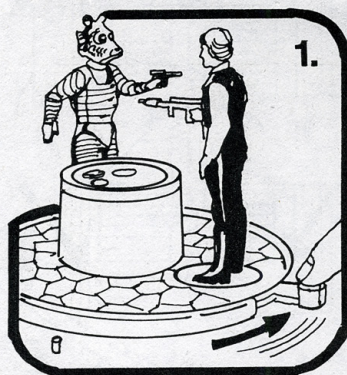
RE-ENACT BEN KENOBI'S™ LIGHT SABER™ FIGHT

1. Place BEN KENOBI™ or other Action Figure on turntable in front of bar. Move lever forward. Then move lever back until button is beneath floor level.

3. Push lever the rest of the way back. Action Figure placed on button will fall to the floor.

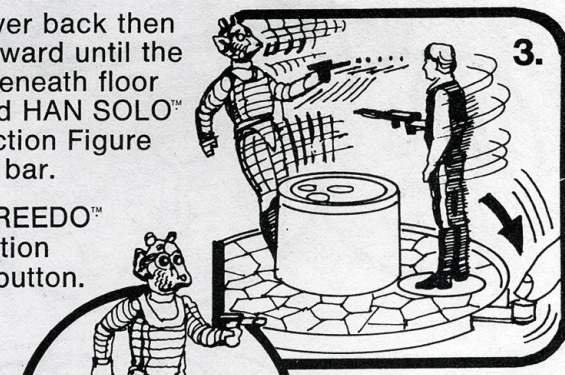


RE-ENACT HAN SOLO'S™ BATTLE WITH GREEDO™

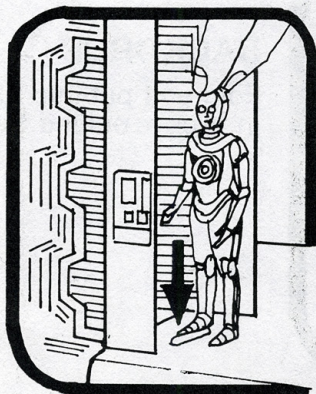


1. Move lever back then move it forward until the button is beneath floor level. Stand HAN SOLO™ or other Action Figure across the bar.

2. Stand GREEDO™ or other Action Figure on button.



3. Move lever forward. Figure placed on button will fall as if wounded.



TO OPERATE DOORS

Push doors closed.
Push remote button on floor in front of door.

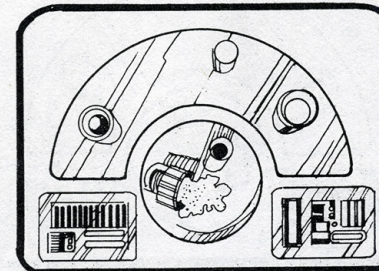
You can stand STAR WARS™ Action Figures on the pegs throughout your Creature Cantina!™



©1977 TWENTIETH CENTURY-FOX FILM CORPORATION

CREATURE CANTINA™ ACTION PLAYSET

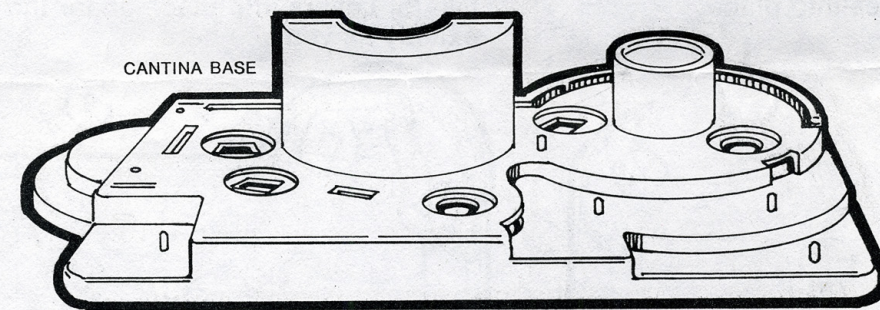
PARTS LIST



LABELS

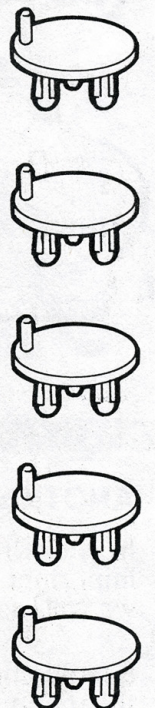


BACKDROP



CANTINA BASE

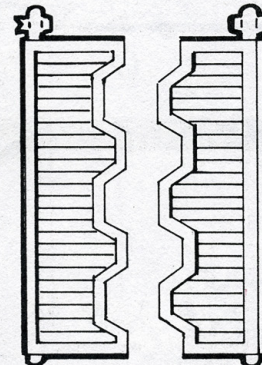
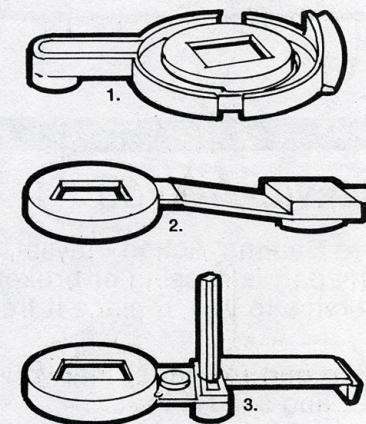
TURNTABLES (5)



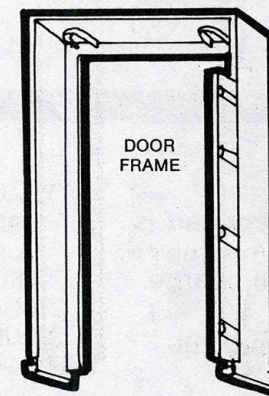
RUBBER BAND



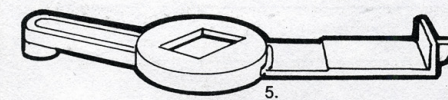
LEVERS (5)



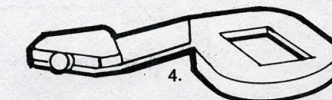
DOORS (RIGHT AND LEFT HALVES)



DOOR FRAME



5.



4.

Kenner

Meets or exceeds all safety requirements of Product Standard 72-76

™ TRADEMARK OF TWENTIETH CENTURY-FOX FILM CORPORATION
Characters: ©1977 TWENTIETH CENTURY-FOX FILM CORPORATION

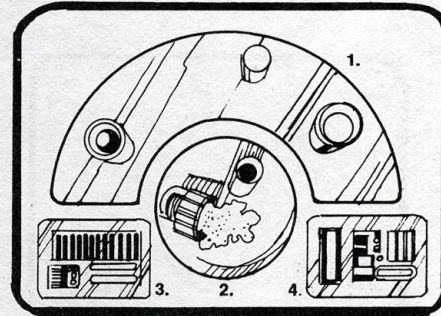
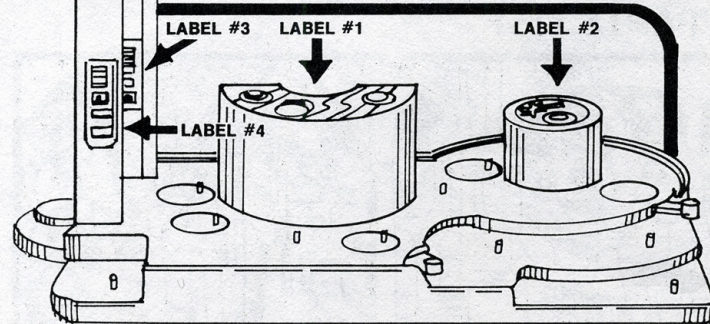
©CPG PRODUCTS CORP. 1979 by its Div. KENNER PRODUCTS, Cincinnati, Ohio 45202

ASSEMBLE YOUR CREATURE CANTINA™ SET

You may want to ask Dad, Mom or an older person to help you.

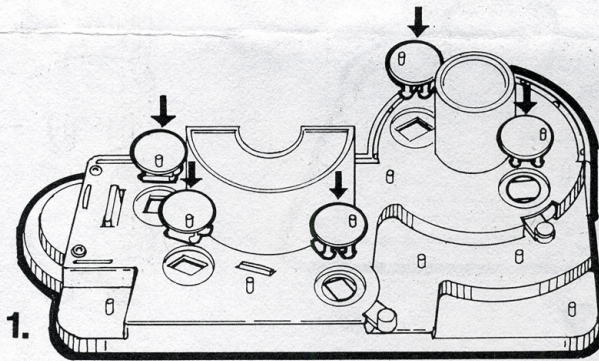
LABELS

Apply them using your package and this sheet as a guide. Align labels carefully before pressing them down.

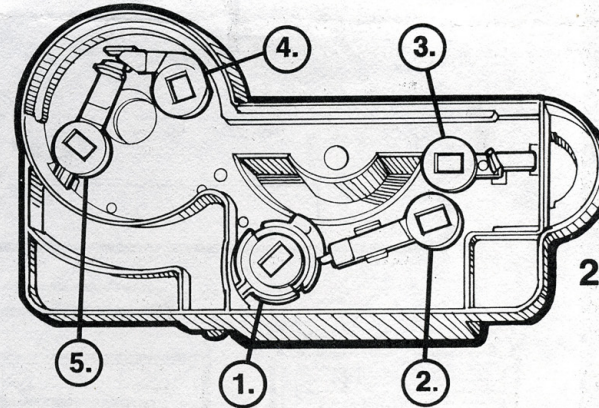


LEVER ASSEMBLY

1. Snap Turntables into place.



2. Complete assembly by putting the five (5) Levers into place under the toy exactly as you see here.



ANOTHER SERVICE TO YOU

In your Creature Cantina™ Action Playset, every part is important. If any part is missing or broken as received, we will, as a service to you, replace it free of charge.

Simply check the part (or parts) that you need, cut this coupon out and send it to:

- LABELS
- BACKDROP
- BASE
- TURNTABLES
- LEVER 1. 2. 3. 4. 5.
- DOOR FRAME
- RUBBER BAND
- DOORS

KENNER PRODUCTS
1014 VINE STREET
CINCINNATI, OHIO 45202
ATTN.: CONSUMER RELATIONS

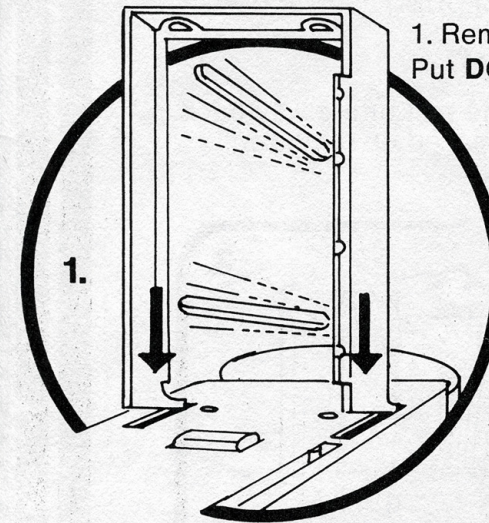
NAME _____

ADDRESS _____

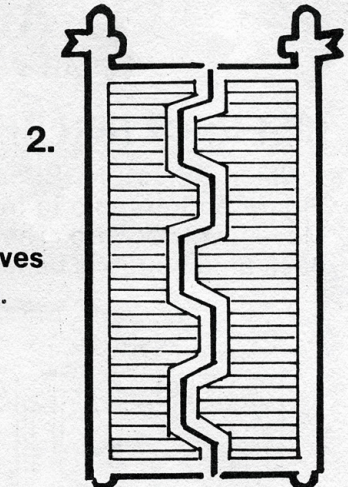
ZIP CODE _____

DON'T FORGET TO INCLUDE YOUR NAME, ADDRESS AND ZIP CODE

DOOR ASSEMBLY



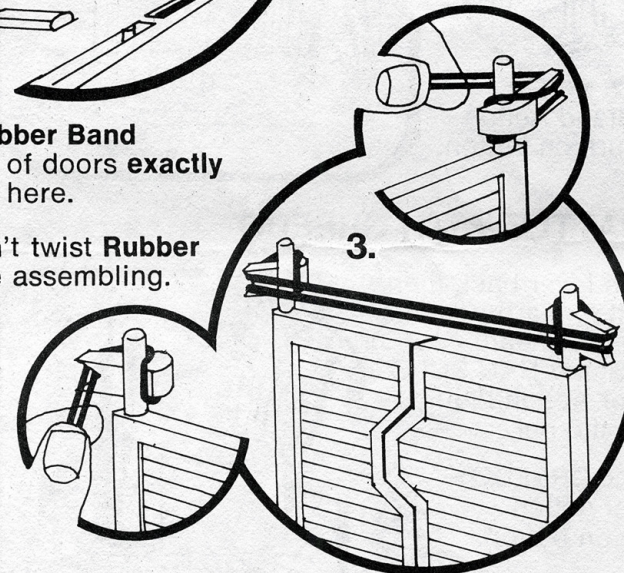
1. Remove **BRACES** and Put **DOOR FRAME** into place.



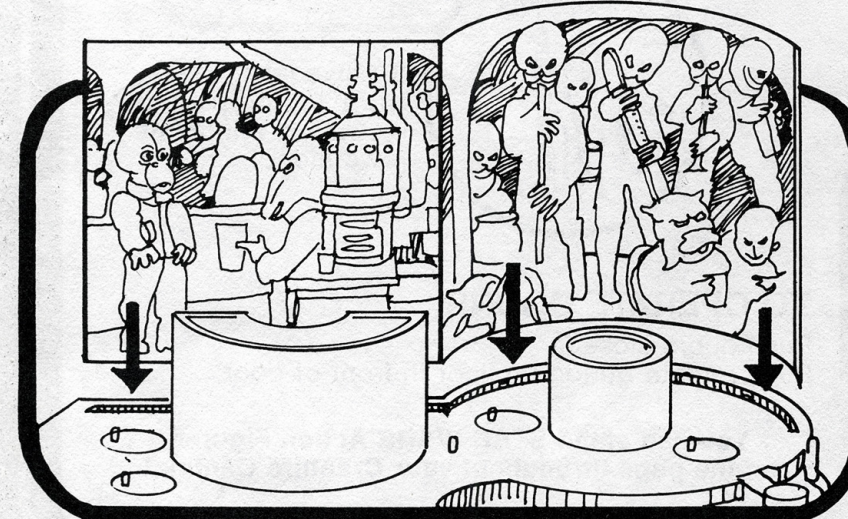
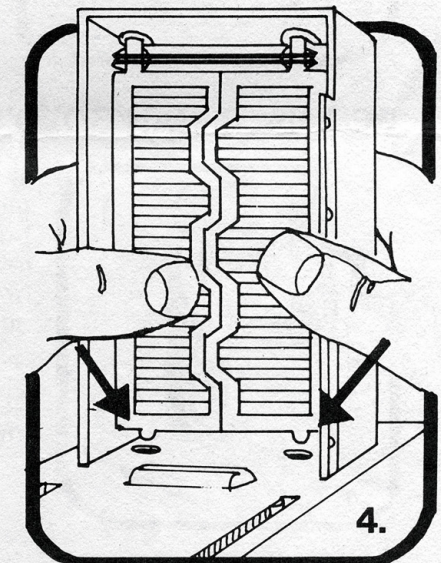
2. Hold 2 **Door Halves** together as shown.

3. Wind **Rubber Band** around top of doors exactly as you see here.

NOTE: Don't twist **Rubber Band** while assembling.



4. Install **DOORS** into Frame.



BACKDROP

Fold and put into place in groove behind toy.