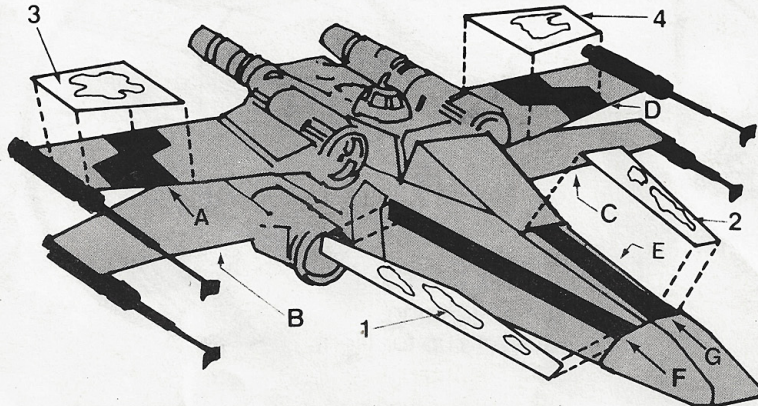


# STAR WARS RETURN OF THE JEDI

TM

## X-WING FIGHTER™ ASSEMBLY INSTRUCTIONS

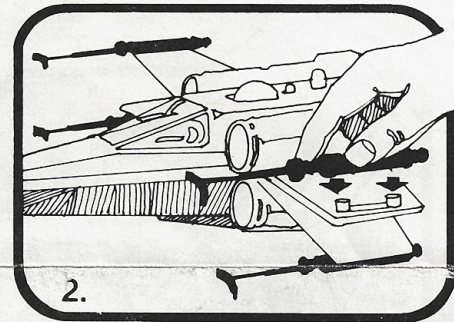


1. If you want your X-WING FIGHTER to show battle damage, the transparent label can be applied right over the regular labels. Use the numbers as your guide.

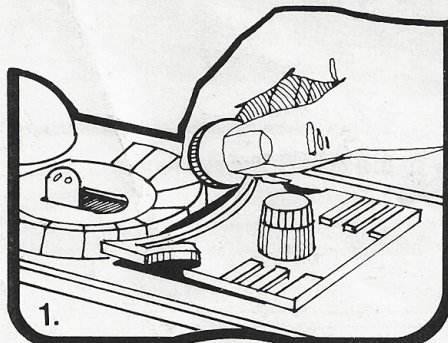
**NOTE:** Once the "Battle Damage" labels have been applied, they cannot be removed.

### LABELS

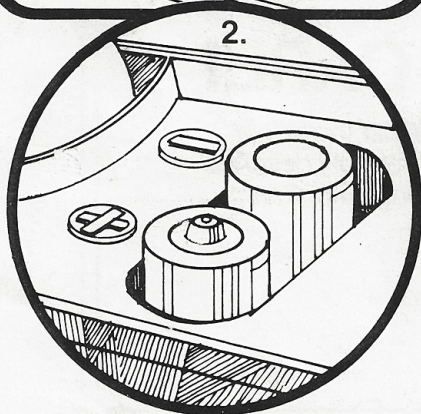
Apply labels using the letter locations from the illustration and the label sheet and the outlines on the wings and fuselage.



2. Press laser cannons onto the ends of all four wings as shown.



1.

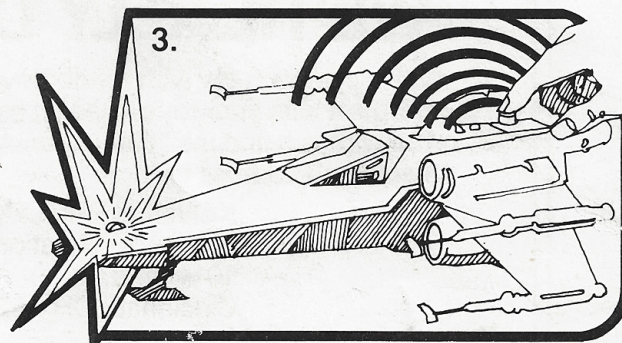


2.

### BATTERIES

1. Remove battery cover with coin.
2. Install two Alkaline AA Penlite Batteries as shown. Press batteries down and snap battery cover closed.
3. Press the blue button on top of the battery cover for laser light and laser sound.

**NOTE:** If you have laser sound but your laser light does not work, the batteries are in backward.



3.

281-047-01

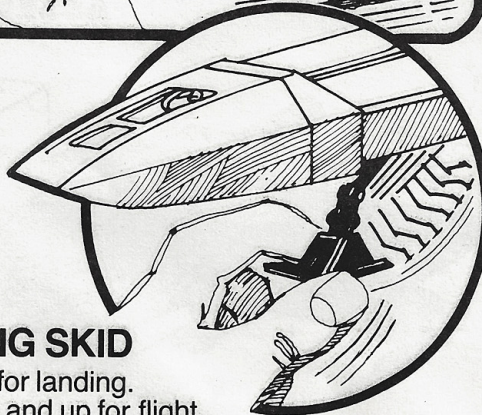
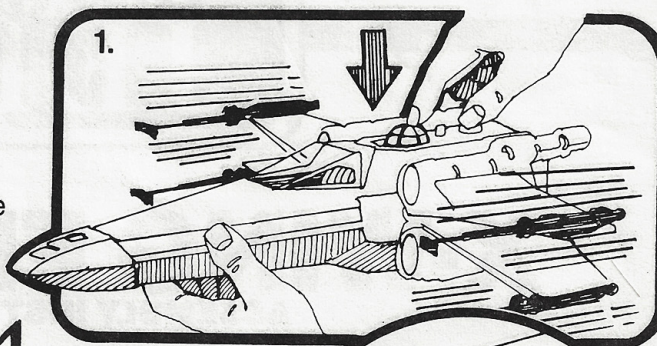
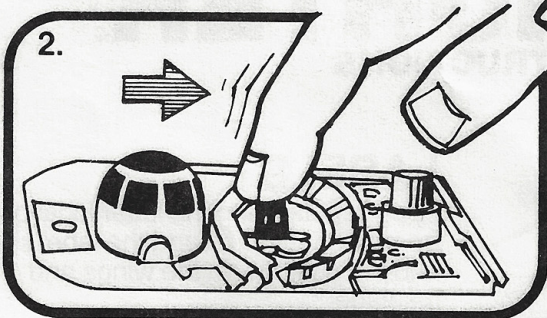




## OPERATION

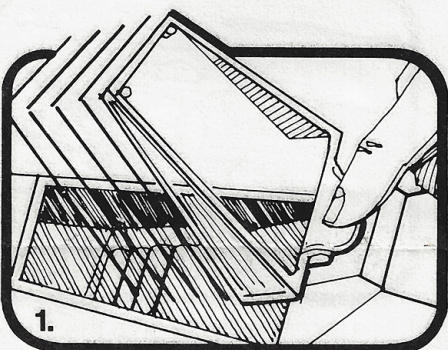
### WINGS

1. To prepare your X-WING FIGHTER for battle, spread the wings by pressing on R2-D2.
2. To bring the wings together, push the blue button back.



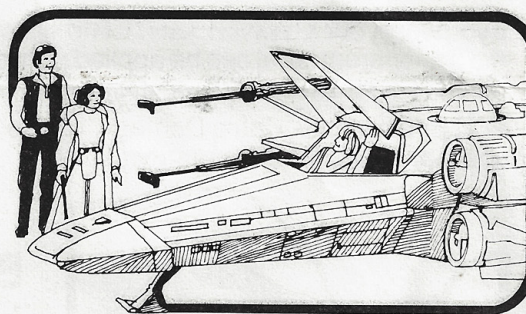
### LANDING SKID

Pull down for landing.  
Push back and up for flight.



### CANOPY

1. Open canopy by pressing tab at back of cockpit and lifting. If canopy comes off, replace it by inserting one side pin into slot and pressing down.



Many of the STAR WARS Action Figures will fit into the cockpit.

## WE REALLY DO CARE!

We make each toy with tender loving care. If there is a problem with your toy please let us know. Simply describe the problem and mail that description along with your name and address to:

KENNER PRODUCTS  
Consumer Relations Dept.  
1014 Vine St.  
Cincinnati, OH 45202