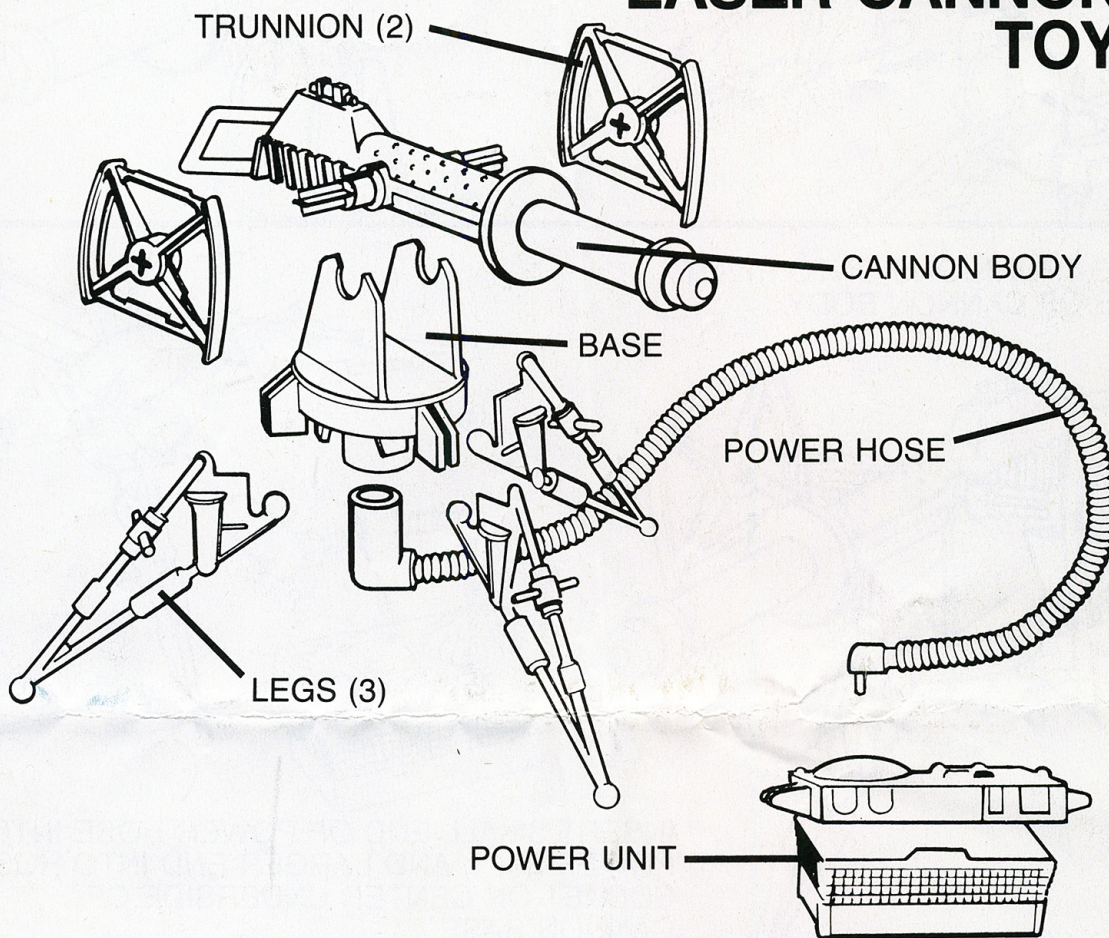


STAR WARS RETURN OF THE JEDI

TRI-POD LASER CANNON™ TOY



Kenner®

TM, ® & © Lucasfilm Ltd., (LFL) 1982
All rights reserved.
Kenner Products Authorized User

WE REALLY DO CARE!

We make each toy with tender loving care. If there is a problem with your toy please let us know. Simply describe the problem and mail that description along with

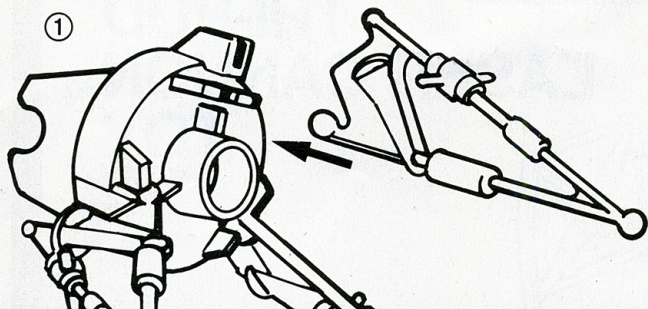
your name and address to:
KENNER PRODUCTS
Consumer Relations Dept.
1014 Vine St.
Cincinnati, OH 45202

464-028-01

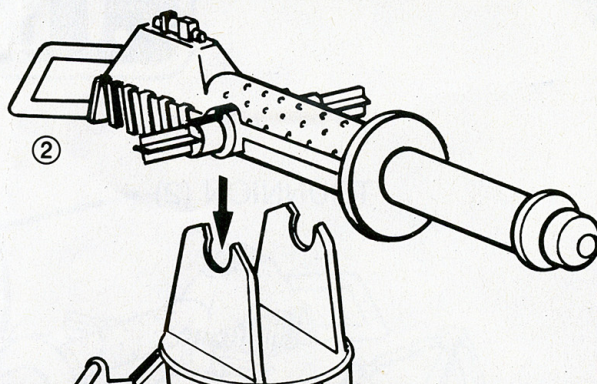


STAR WARS VISUAL GUIDES
WWW.JEDITEMPLEARCHIVES.COM

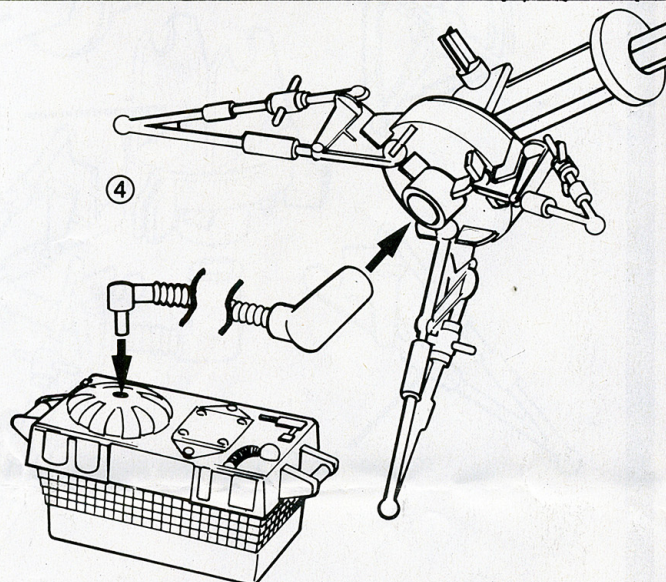
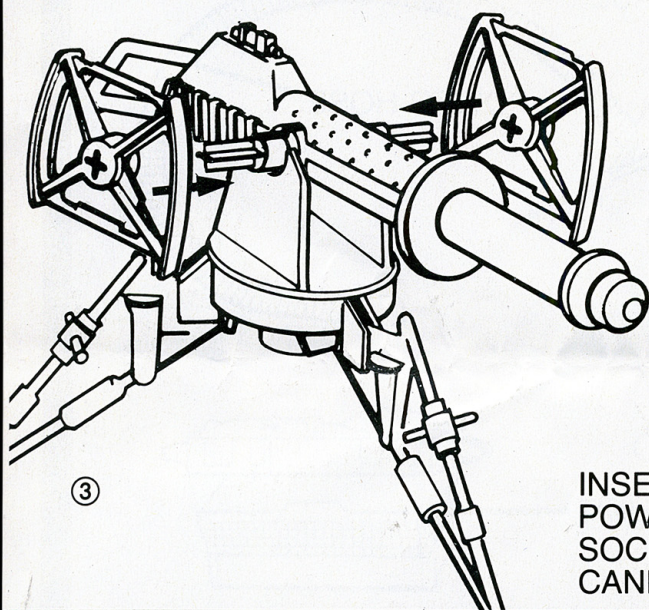
TO ASSEMBLE LEGS PRESS LEG HINGE BALL INTO SOCKETS ON BOTTOM OF CANNON BASE UNTIL IT SNAPS IN PLACE.



ATTACH CANNON BODY TO BASE BY SNAPPING PIVOT ARMS INTO SLOTS ON CANNON BASE.

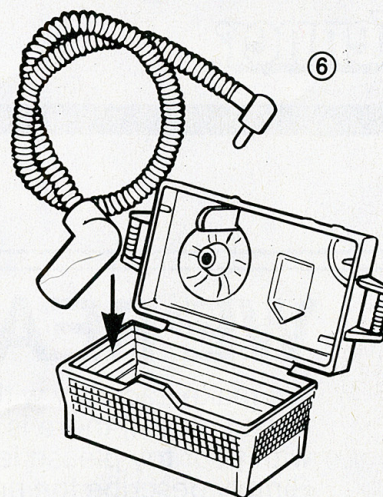
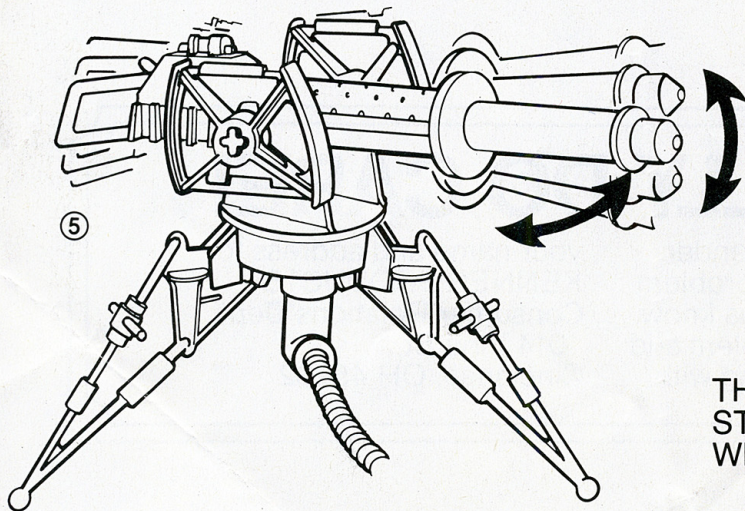


SLIDE TRUNNIONS ONTO PIVOT ARMS OF CANNON BODY.



INSERT SMALL END OF POWER HOSE INTO POWER UNIT, AND LARGER END INTO HOSE SOCKET ON CENTER UNDERSIDE OF CANNON BASE.

YOUR CANNON IS FULLY ADJUSTABLE FOR HIGH OR LOW SHOTS, OR WILL CLICK AROUND TO ATTACK FROM ANY ANGLE.



THE POWER HOSE CAN BE STORED INSIDE THE POWER UNIT WHEN NOT IN USE.