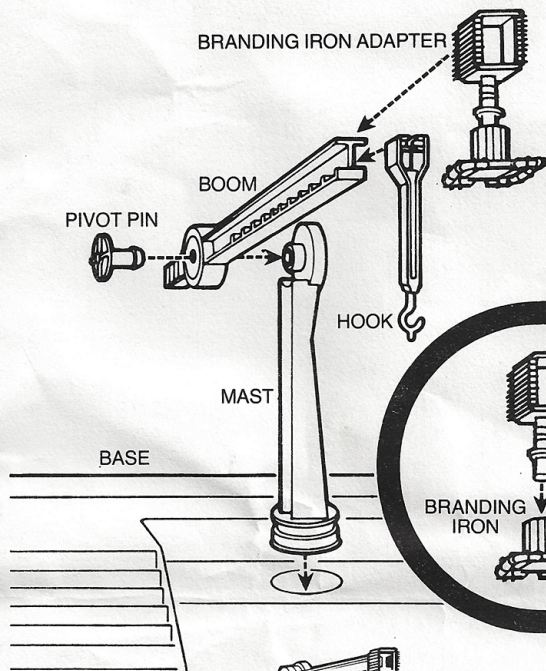


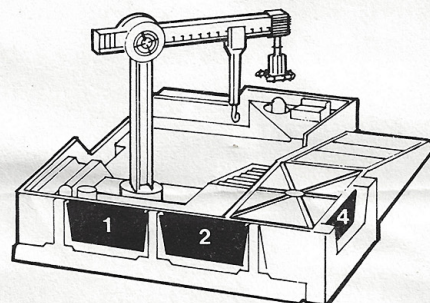
STAR WARS RETURN OF THE JEDI

THE JABBA THE HUTT DUNGEON ACTION PLAYSET

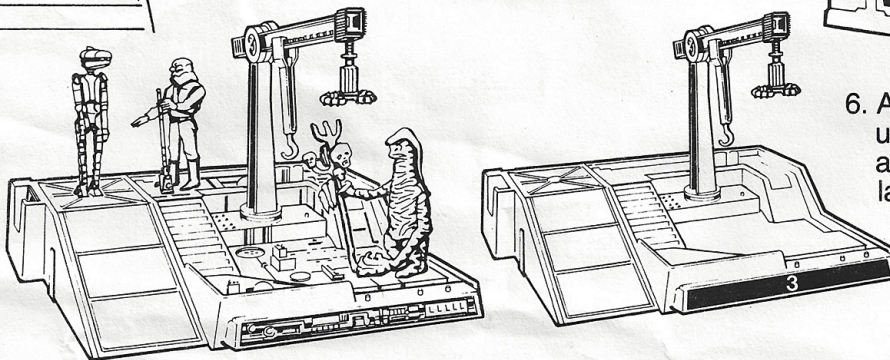


ASSEMBLY INSTRUCTIONS

1. Insert **MAST** into **BASE** exactly as shown.
2. Connect **BOOM** to **MAST** by pressing **PIVOT PIN** into hole as you see here.
3. Slide **HOOK** into **BOOM** track and position between ribs.
4. Assemble **BRANDING IRON** and **BRANDING IRON ADAPTER** as shown.
5. Slide **BRANDING IRON ADAPTER** onto **BOOM**.



6. Apply **LABELS** as shown using these illustrations and the numbers on the label sheet as a guide.



Kenner®

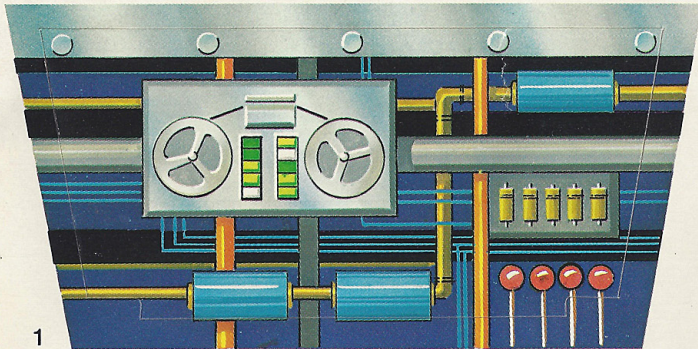
* Kenner is the trademark of CPG Products Corp., by its Div., Kenner Products, Cincinnati, Ohio 45202.

WE REALLY DO CARE!

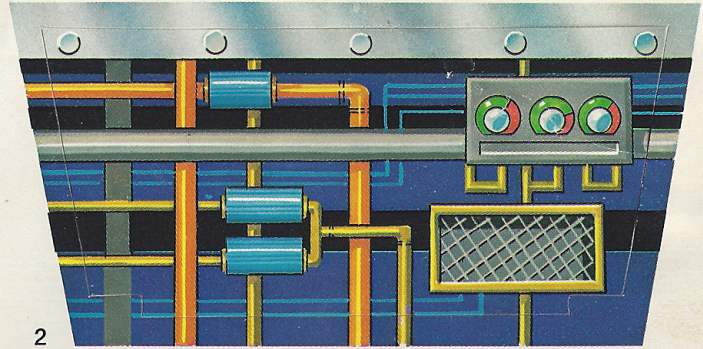
We make each toy with tender loving care. If there is a problem with your toy as you receive it, please let us know. Simply describe the problem and mail that description along with your name and address to:

KENNER PRODUCTS
Consumer Affairs Dept. 1014 Vine St. Cincinnati, OH 45202

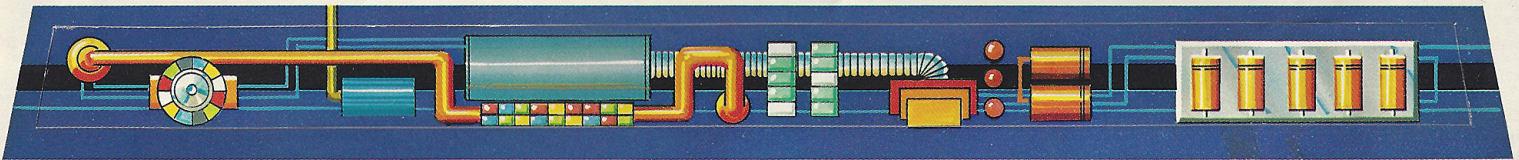




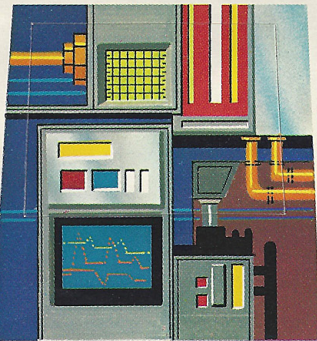
1



2



3



4

LUCASFILM LTD., (LFL) 1983

761-029