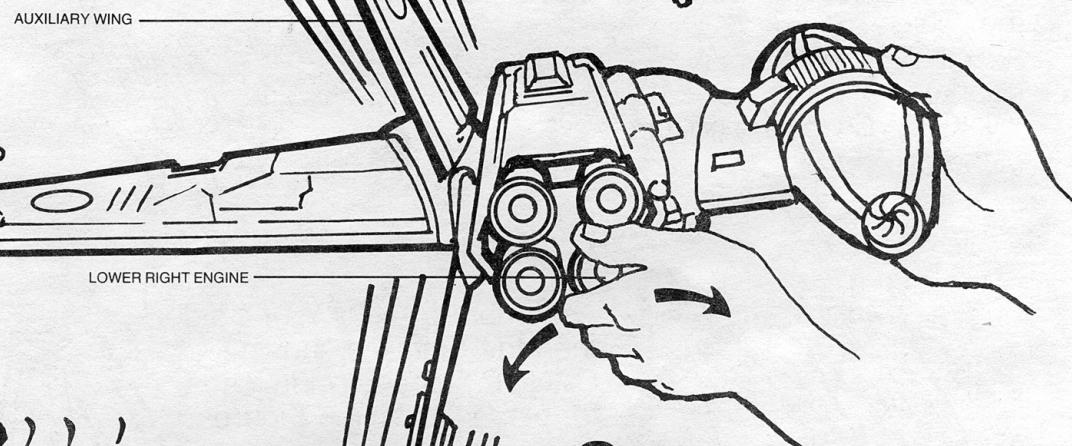
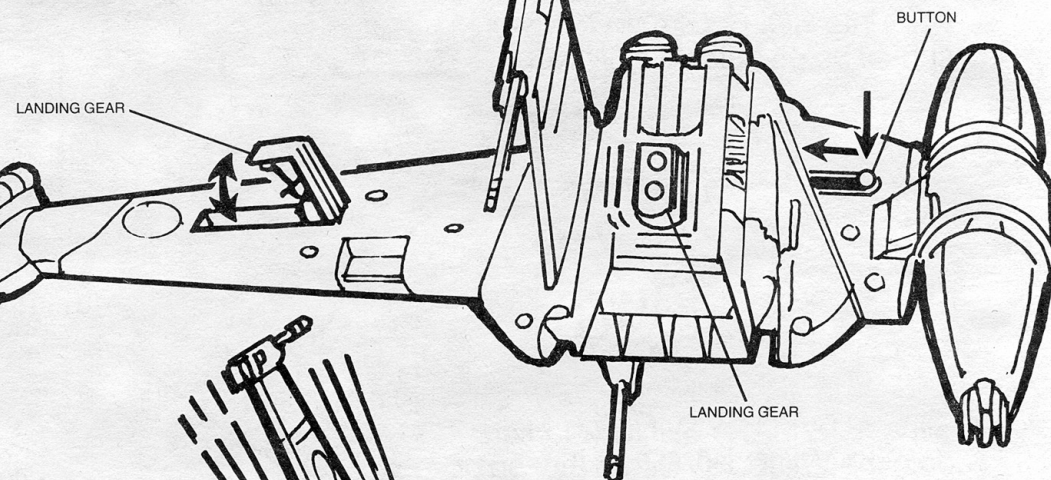
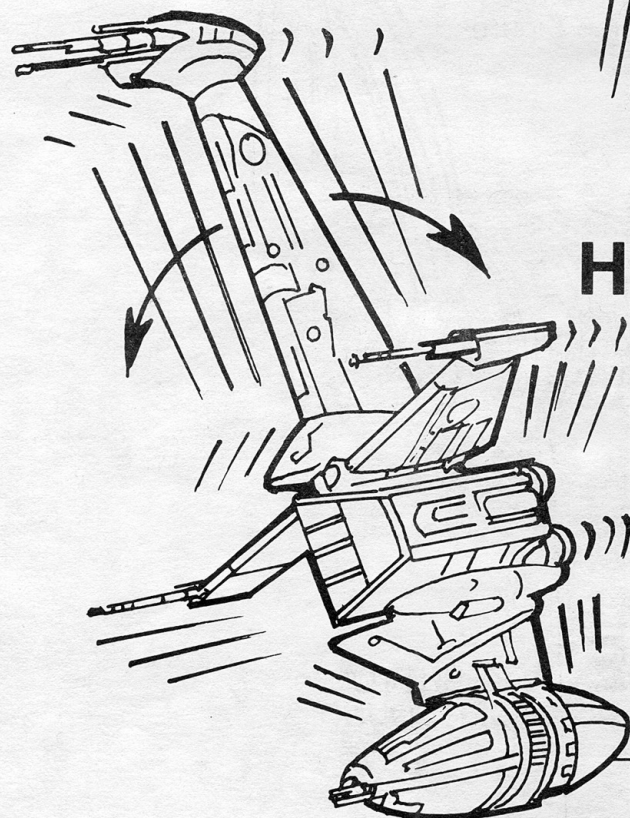


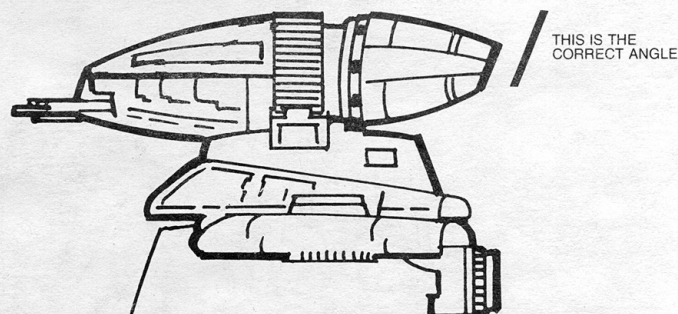
F. Press and slide **BUTTON** on underside of vehicle to raise or lower **LANDING GEAR**.



G. Push in and turn **LOWER RIGHT ENGINE** counter clockwise to raise or clockwise to lower **AUXILIARY WINGS**.



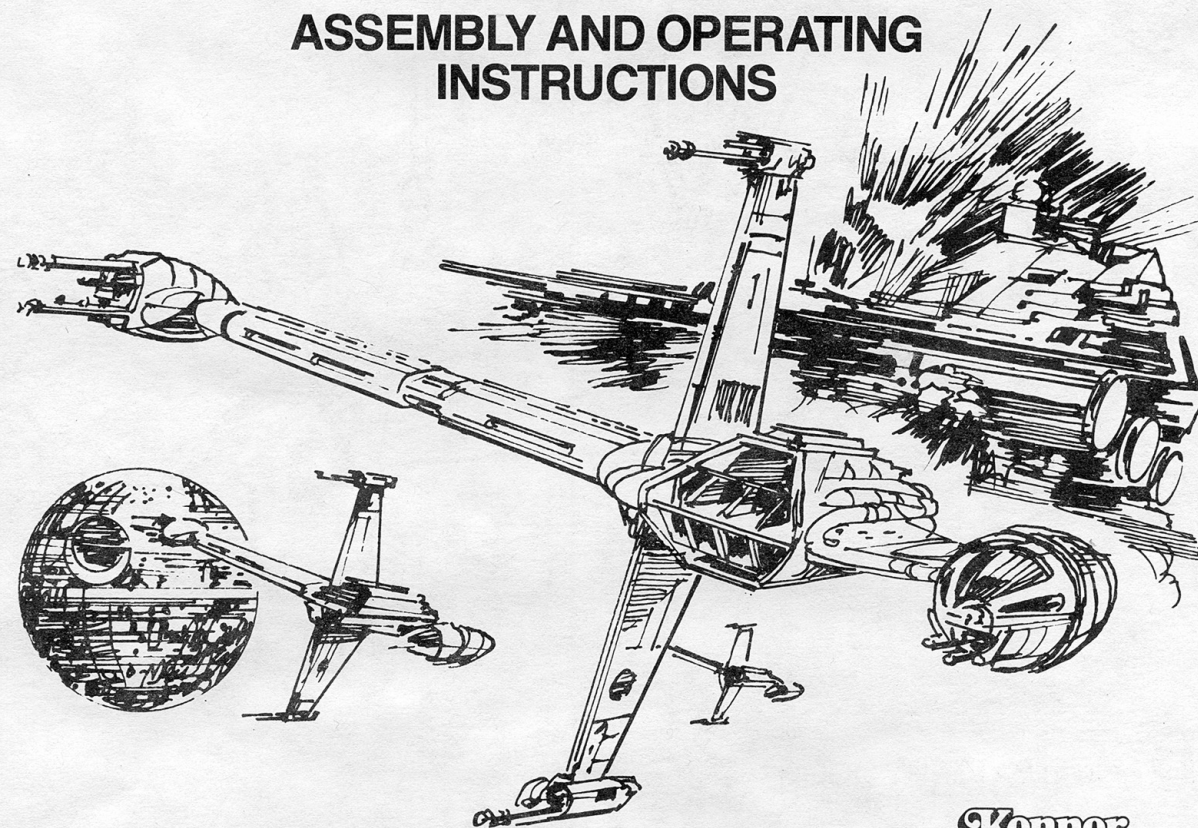
H. **GYRO COCKPIT** remains upright as vehicle is turned.



Back side of **GYRO COCKPIT** can be turned to flight position angle, as shown.

STAR WARS RETURN OF THE JEDI

B-WING FIGHTER™ VEHICLE ASSEMBLY AND OPERATING INSTRUCTIONS



Kenner

*Kenner is a trademark of CPG Products Corp., by its Div. Kenner Products, Cincinnati, Ohio 45202.

WE REALLY DO CARE!

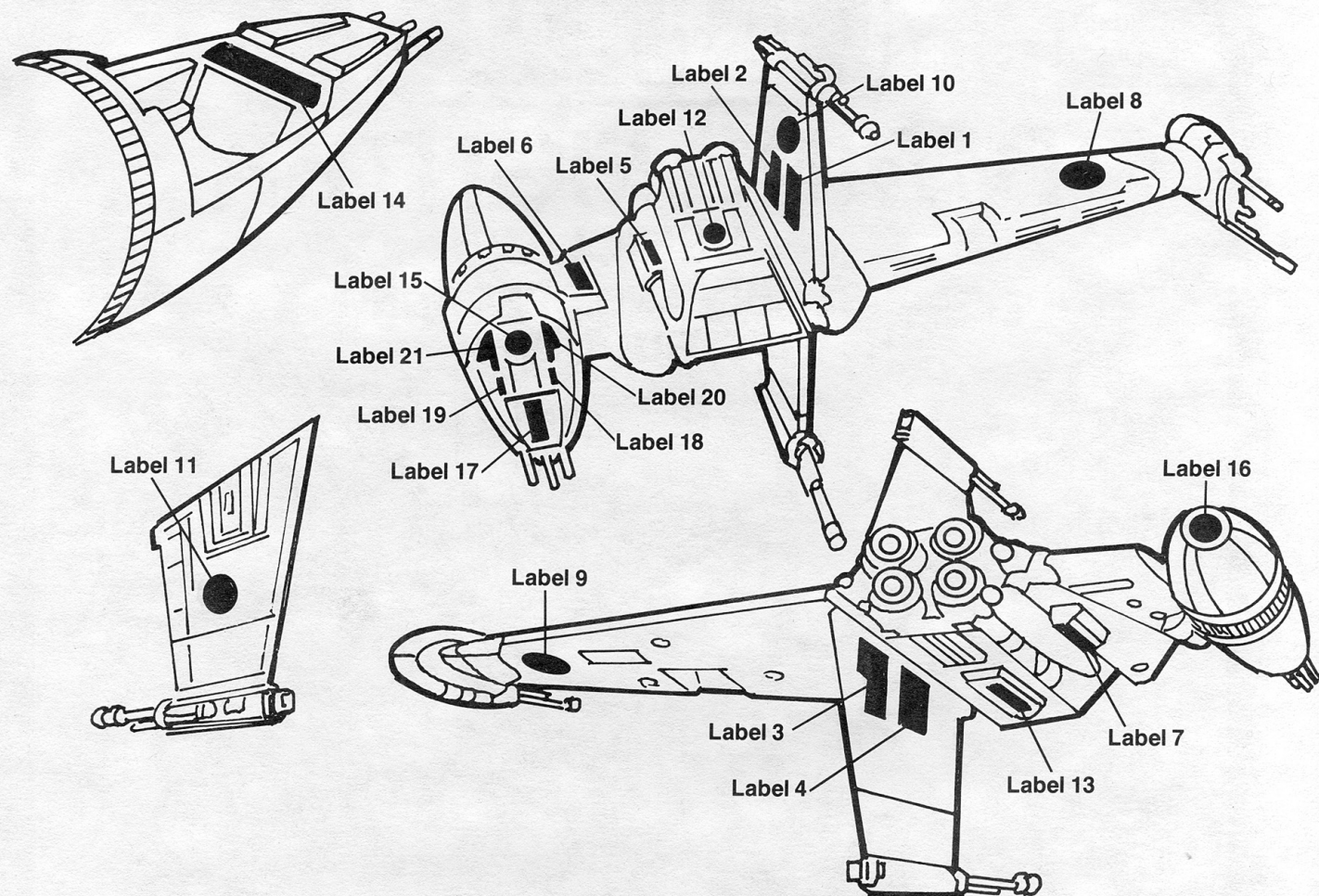
We make each toy with tender loving care. If there is a problem with your toy as you receive it, please let us know. Simply describe the problem and mail that description along with your name and address to:

KENNER PRODUCTS
Consumer Affairs Dept., 1014 Vine St., Cincinnati, OH 45202

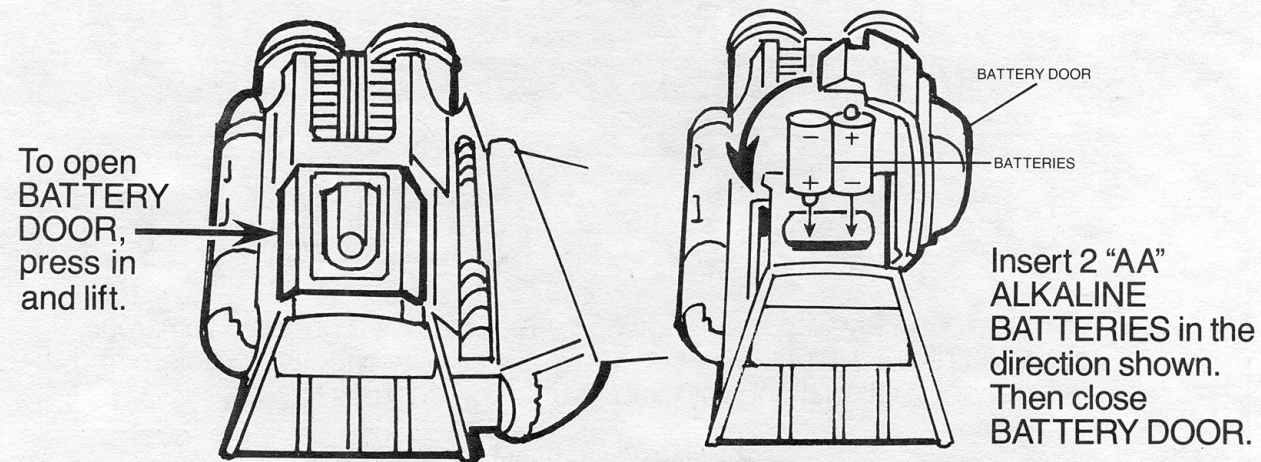
TM & © Lucasfilm Ltd. (LFL) 1984. All rights reserved. Kenner Products, a Div. of CPG Products Corp., Authorized User.

083304500

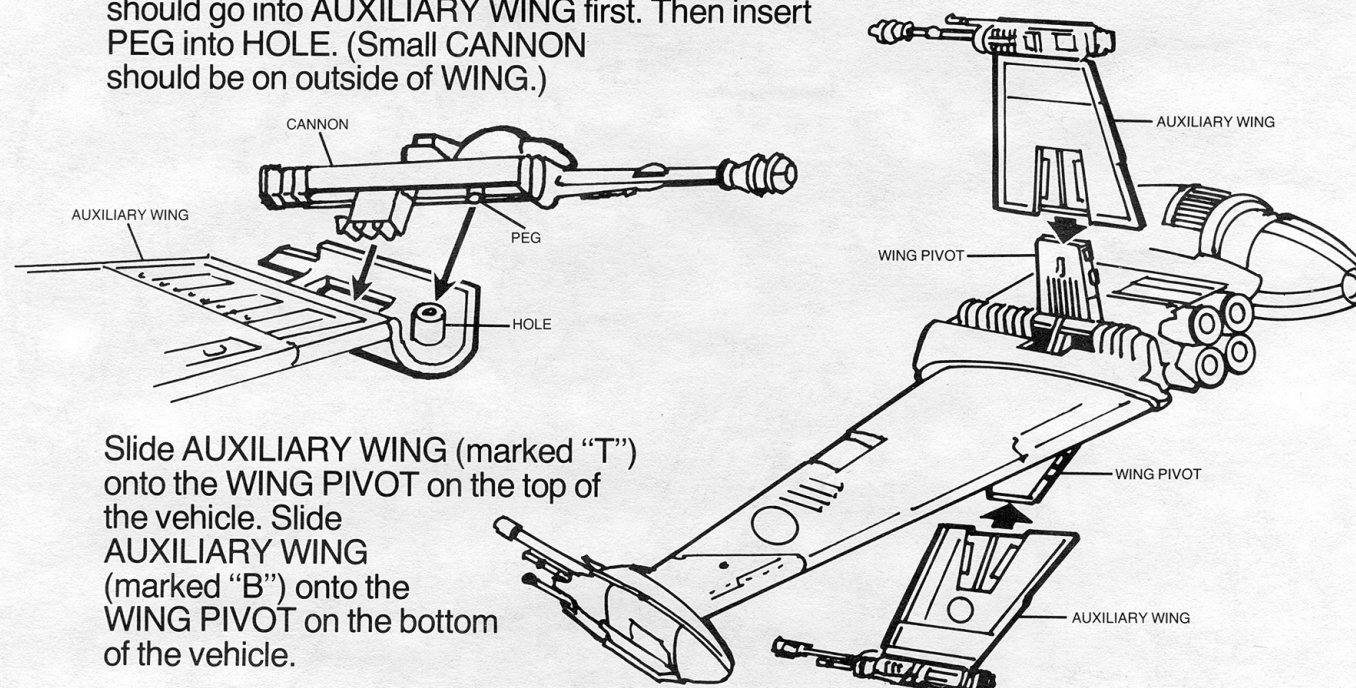
A. Apply LABELS using the numbers on the LABEL SHEET and these ILLUSTRATIONS as a guide.



B. Open BATTERY DOOR.

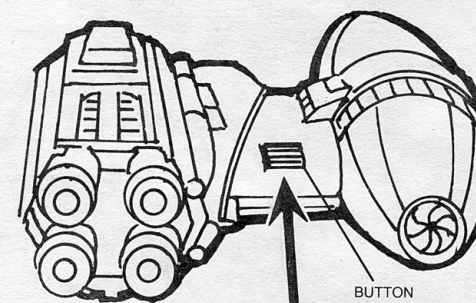
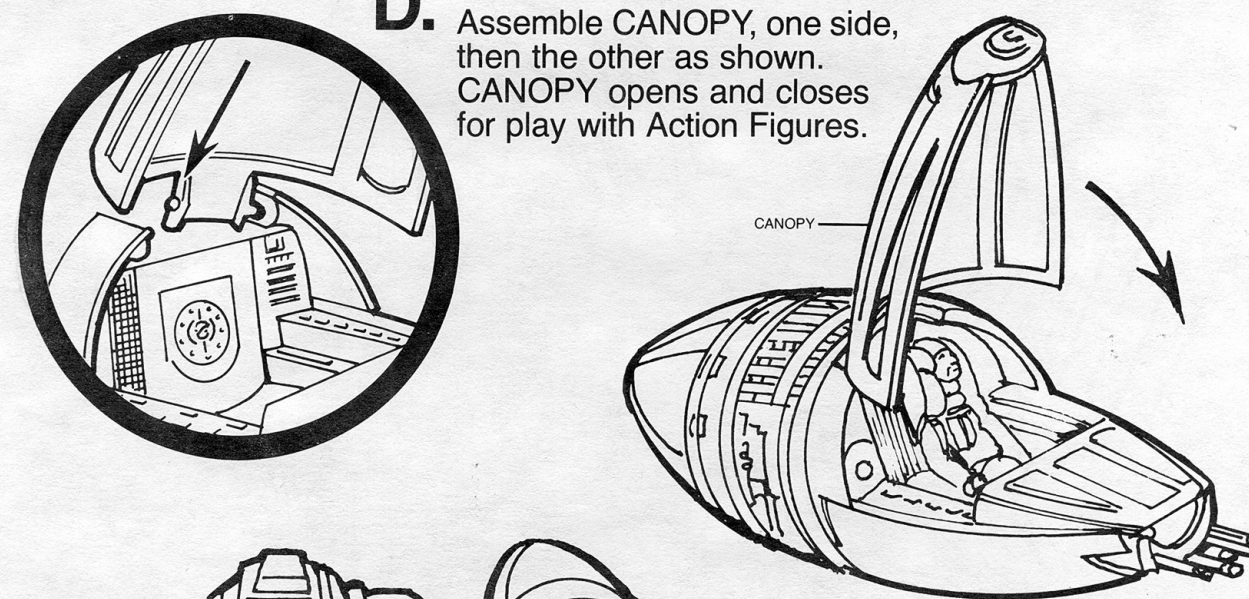


C. Assemble CANNONS to AUXILIARY WINGS. Look for "T" and "B" on the CANNONS and the AUXILIARY WINGS for identification and match-up. Back side of CANNONS should go into AUXILIARY WING first. Then insert PEG into HOLE. (Small CANNON should be on outside of WING.)



Slide AUXILIARY WING (marked "T") onto the WING PIVOT on the top of the vehicle. Slide AUXILIARY WING (marked "B") onto the WING PIVOT on the bottom of the vehicle.

D. Assemble CANOPY, one side, then the other as shown. CANOPY opens and closes for play with Action Figures.



E. Press BUTTON for LASER SOUND.

